



Latch and manual release - Top roller push plunger  
PLNA1RAG

Product designation

Product type designation

**General characteristics**

Material

Housing Aluminium-zinc alloy

**Contact characteristics**

Type of contact		1NC
Thermal current I <sub>th</sub>	A	10
Rated insulation voltage U <sub>i</sub>	V	400
Short-circuit protection with fuse	Class/A	10 gG/SC QUICK FUSE
IEC Conventional free air thermal current I <sub>th</sub>	A	10
Resistance per pole (average value)	mΩ	<10

**Mechanical features**

Operating head fixing		Fixed
Tightening torque (Max)		
Switch fixing	Nm	2.5
	lbin	22.1

Conductor section

AWG/Kcmil	max		14
IEC	max	mm <sup>2</sup>	2.5

Cable connection

Screw terminal with clamp

Cable entry

PG11

Weight

g 220

**Operations**

Mechanical life	cycles	>10000000
Mechanical operation	cycles/h	3600

**Ambient conditions**

Temperature

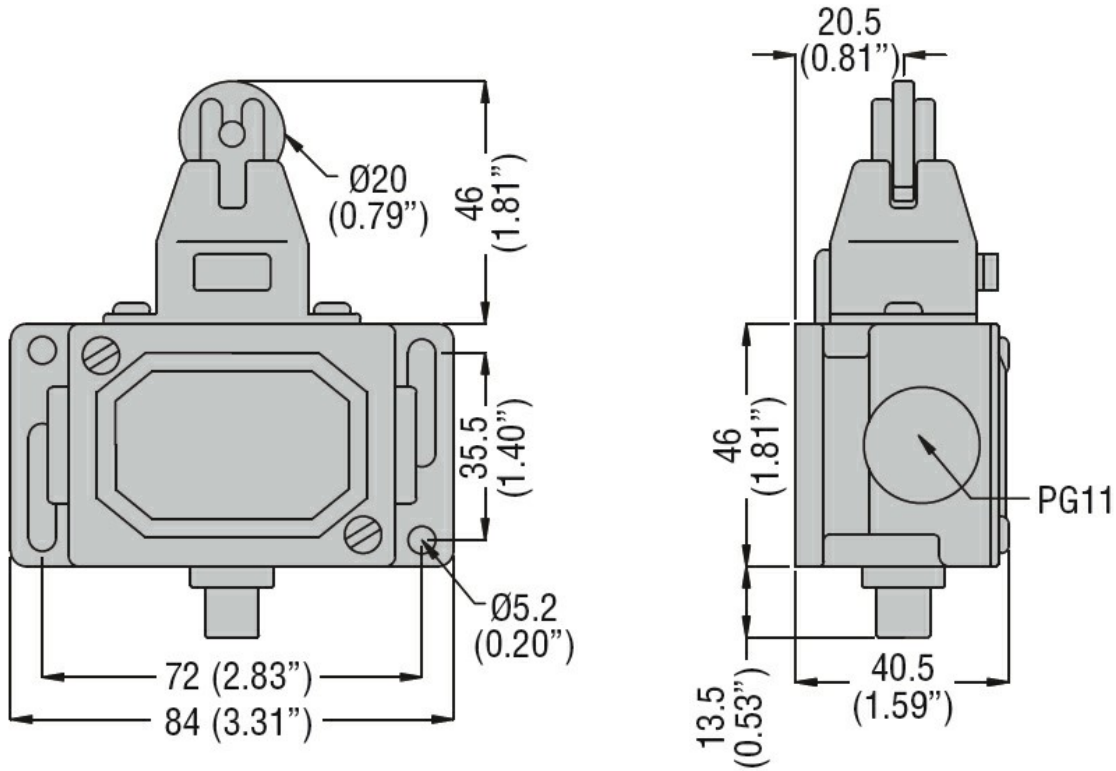
Operating temperature	min	°C	-25
	max	°C	+70
Storage temperature	min	°C	-40
	max	°C	+70

**Resistance & Protection**

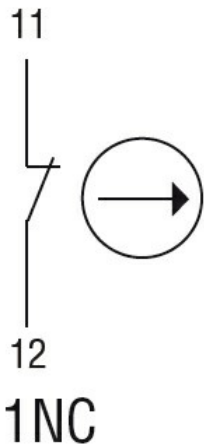
IP degree

Body housing IP40

**Dimensions**



**Wiring diagrams**



**Certifications and compliance**

**Compliance**

EN 81-1.  
 IEC/EN 60947-1  
 IEC/EN 60947-5-1

**Certificates**

EAC

**ETIM classification**

ETIM 8.0

EC000030 - End switch