



Rope-pull lever
with reset button
PLN131311

Product designation

Product type designation

General characteristics

Material

Housing

Aluminium-zinc
alloy

Contact characteristics

Type of contact

1NO+1NC

Thermal current I_{th}

A

6

Rated insulation voltage U_i

V

250

Short-circuit protection with fuse

Class/A

10 gG/SC
QUICK FUSE

IEC Conventional free air thermal current I_{th}

A

10

Resistance per pole (average value)

mΩ

<10

Mechanical features

Operating head fixing

Fixed

Operating torque

N

60

lb

13.5

Tightening torque (Max)

Switch fixing

Nm

2.5

lbin

22.1

Contact terminals

Nm

0.8

lbin

7

Body lid screw fixing

Nm

0.8

lbin

7

Conductor section

AWG/Kcmil

max

14

IEC

min

mm²

1 or 2

max

mm²

2.5

Cable connection

Self-releasing
screw terminal

Cable entry

PG11 with cable
gland

Weight

g

248

Operations

Mechanical life

cycles

100000

Mechanical operation

cycles/h

1800

Ambient conditions

Temperature

Operating temperature

min	°C	-25
max	°C	+70

Storage temperature

min	°C	-40
max	°C	+70

Resistance & Protection

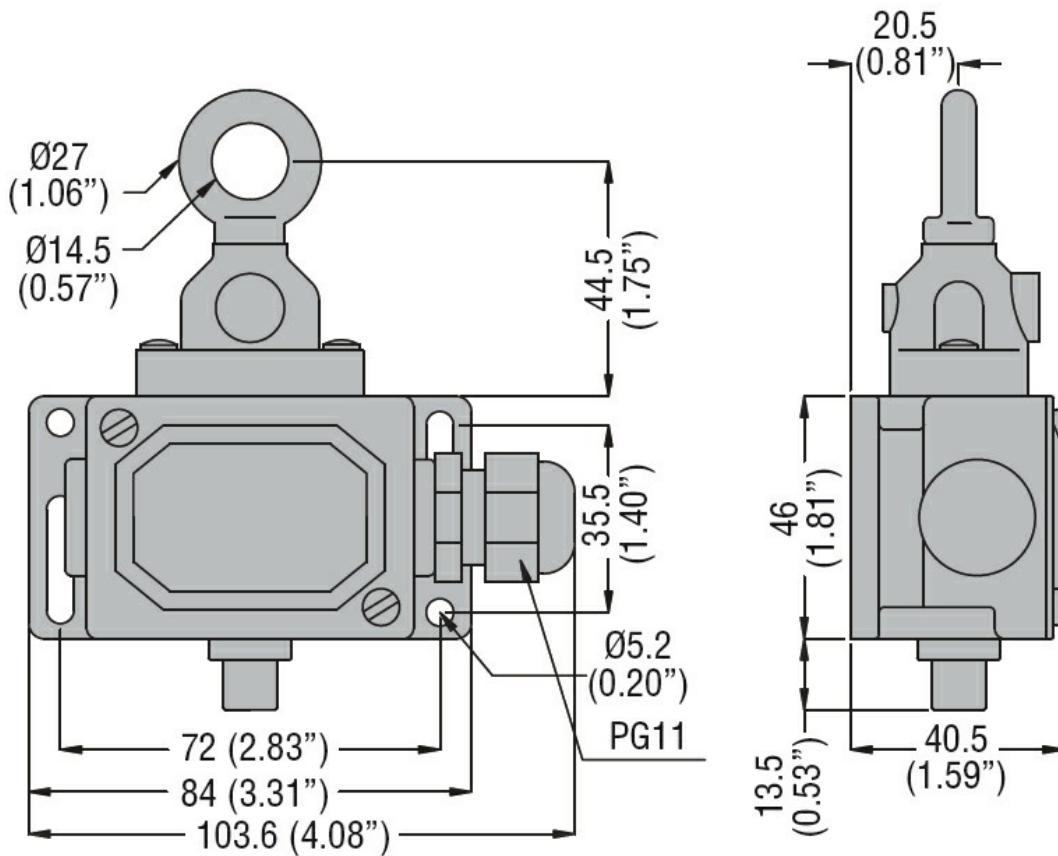
IP degree

Body housing	IP65
--------------	------

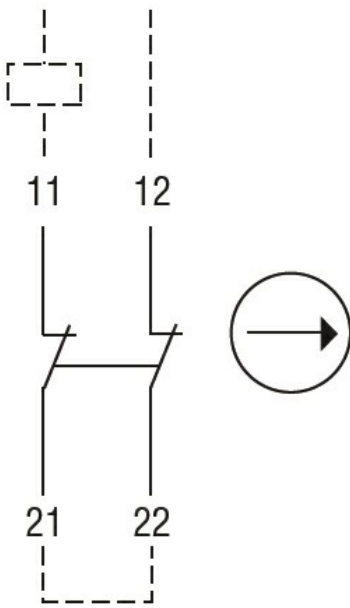
Pollution degree

3

Dimensions



Wiring diagrams



Certifications and compliance

Compliance

/

Certificates

EAC

ETIM classification

ETIM 8.0

EC000030 - End
switch