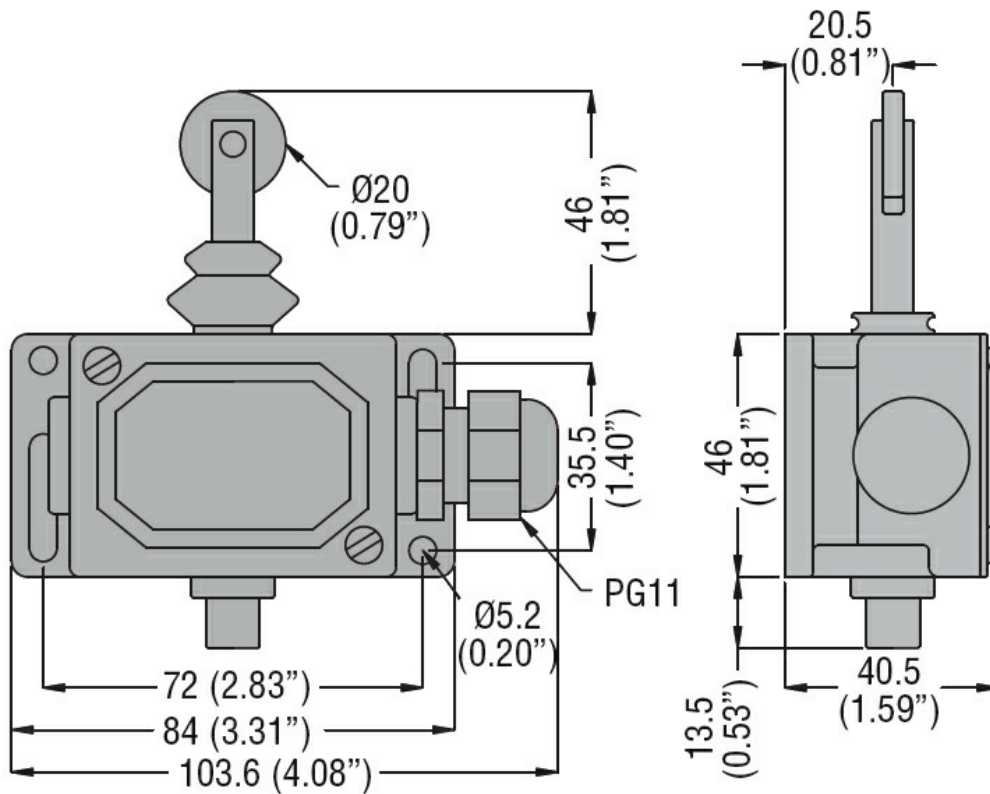


| | | | |
|---|--|----------------------|-------|
| Product designation | Manual reload and magnetic release - Top roller push plunger | | |
| Product type designation | PLA1RMW | | |
| General characteristics | | | |
| Material | Housing | Aluminium-zinc alloy | |
| Contact characteristics | | | |
| Type of contact | | | 1NC |
| Thermal current I _{th} | A | 10 | |
| Rated insulation voltage U _i | V | 400 | |
| Short-circuit protection with fuse | Class/A | 10 gG/SC QUICK FUSE | |
| IEC Conventional free air thermal current I _{th} | A | 10 | |
| Resistance per pole (average value) | mΩ | <10 | |
| Mechanical features | | | |
| Operating head fixing | | | Fixed |
| Tightening torque (Max) | Switch fixing | | |
| | Nm | 2.5 | |
| | lbin | 22.1 | |
| Conductor section | AWG/Kcmil | | |
| | max | 14 | |
| | IEC | | |
| | max | mm ² | 2.5 |
| Cable connection | Screw terminal with clamp | | |
| Cable entry | PG11 with cable gland | | |
| Weight | | | g 260 |
| Operations | | | |
| Mechanical life | cycles | >10000000 | |
| Mechanical operation | cycles/h | 3600 | |
| Ambient conditions | | | |
| Temperature | Operating temperature | | |
| | min | °C | -25 |
| | max | °C | +70 |
| | Storage temperature | | |
| | min | °C | -40 |
| | max | °C | +70 |
| Resistance & Protection | | | |
| IP degree | Body housing | IP65 | |
| Dimensions | | | |



Certifications and compliance

Compliance

EN 81-1.

IEC/EN 60947-1

IEC/EN 60947-5-1

Certificates

EAC

ETIM classification

ETIM 8.0

EC000030 - End
switch