



Rope-pull lever
without reset
button
P2L

Product designation

Product type designation

General characteristics

Material

Housing

Aluminium-zinc
alloy

Contact characteristics

Type of contact		1NO+1NC
Thermal current I _{th}	A	6
Rated insulation voltage U _i	V	400
Short-circuit protection with fuse	Class/A	10 gG/SC QUICK FUSE
IEC Conventional free air thermal current I _{th}	A	6
Resistance per pole (average value)	mΩ	<10

Mechanical features

Operating head fixing		Fixed
Operating torque	N	120
	lb	27
Tightening torque (Max)		
Switch fixing	Nm	2.5
	lbin	22.1

Conductor section

AWG/Kcmil

max

14

IEC

max

mm²

2.5

Cable connection

Self-releasing
screw terminal

Cable entry

PG11 with cable
gland

Weight

g

459

Operations

Mechanical life	cycles	>10000000
Mechanical operation	cycles/h	3600

Ambient conditions

Temperature

Operating temperature

min

°C

-25

max

°C

+70

Storage temperature

min

°C

-40

max

°C

+70

Resistance & Protection

IP degree

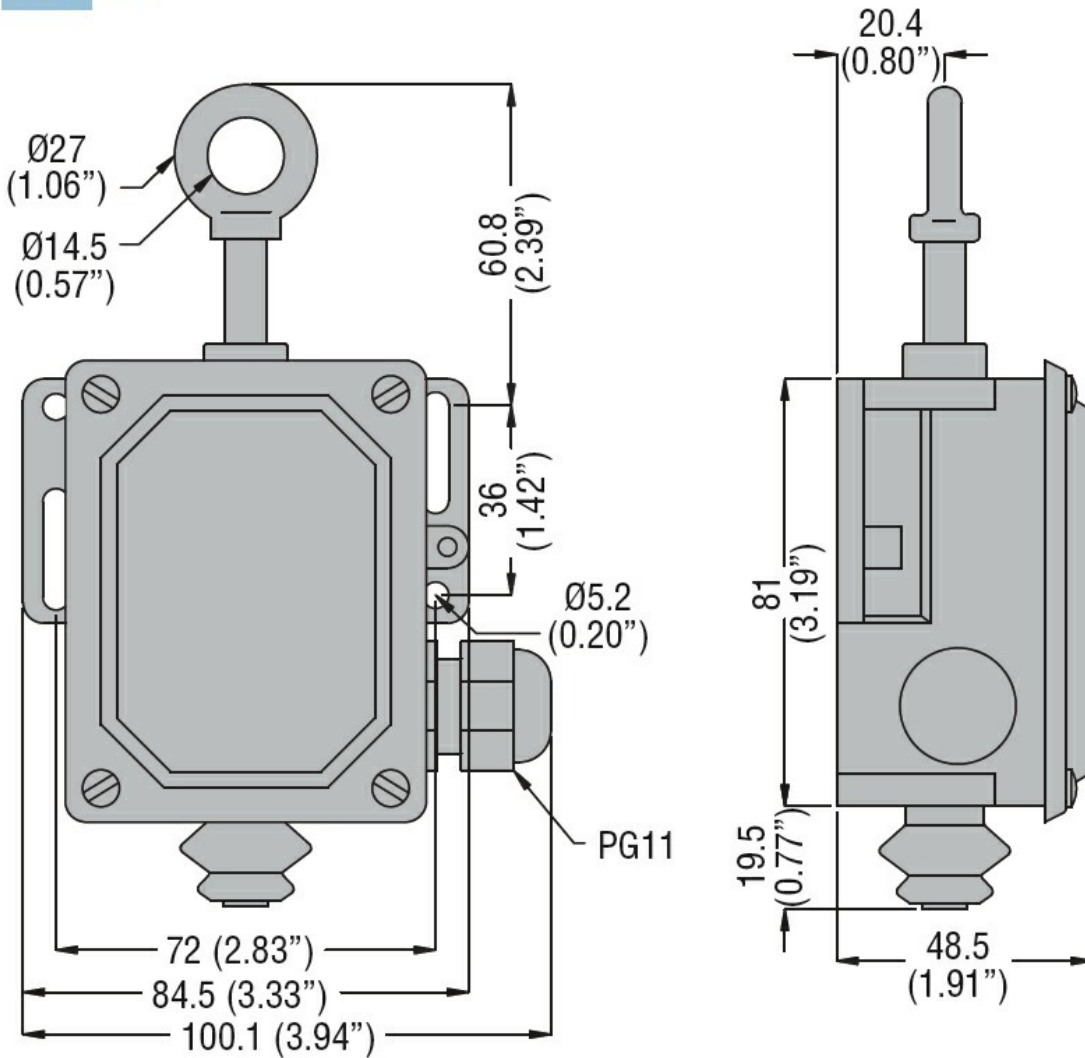
Body housing

IP65

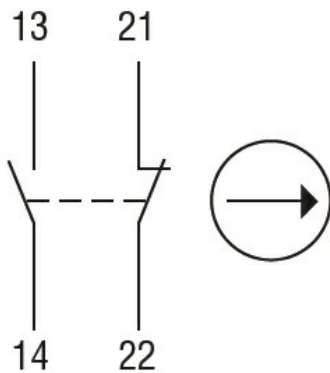
Pollution degree

3

Dimensions



Wiring diagrams



1NO + 1NC

Certifications and compliance

Compliance

EN 81-1.

ROPE-PULL LEVER LIMIT SWITCH FOR NORMAL STOPPING, WITHOUT RESET BUTTON.
CONTACTS 1NO+1NC. IP65. 120N OPERATING FORCE

IEC/EN 60947-1

IEC/EN 60947-5-1

Certificates

EAC

IMQ

ETIM classification

ETIM 8.0

EC000030 - End
switch