



Rope-pull lever  
with reset button  
P2L151311

Product designation

Product type designation

**General characteristics**

Material

Housing

Aluminium-zinc  
alloy

**Contact characteristics**

Type of contact

2NO+2NC

Thermal current I<sub>th</sub>

A 6

Rated insulation voltage U<sub>i</sub>

V 250

Short-circuit protection with fuse

Class/A 10 gG/SC  
QUICK FUSE

IEC Conventional free air thermal current I<sub>th</sub>

A 6

Resistance per pole (average value)

mΩ <10

**Mechanical features**

Operating head fixing

Fixed

Operating torque

N 40  
lb 9

Tightening torque (Max)

Switch fixing

Nm 2.5  
lbin 22.1

Contact terminals

Nm 0.8  
lbin 7

Body lid screw fixing

Nm 0.8  
lbin 7

Conductor section

AWG/Kcmil

max 14

IEC

min mm<sup>2</sup> 1 or 2  
max mm<sup>2</sup> 2.5

Cable connection

Self-releasing  
screw terminal

Cable entry

PG11 with cable  
gland

Weight

g 459

**Operations**

Mechanical life

cycles 100000

Mechanical operation

cycles/h 1800

**Ambient conditions**

Temperature

Operating temperature

min	°C	-25
max	°C	+70

Storage temperature

min	°C	-40
max	°C	+70

**Resistance & Protection**

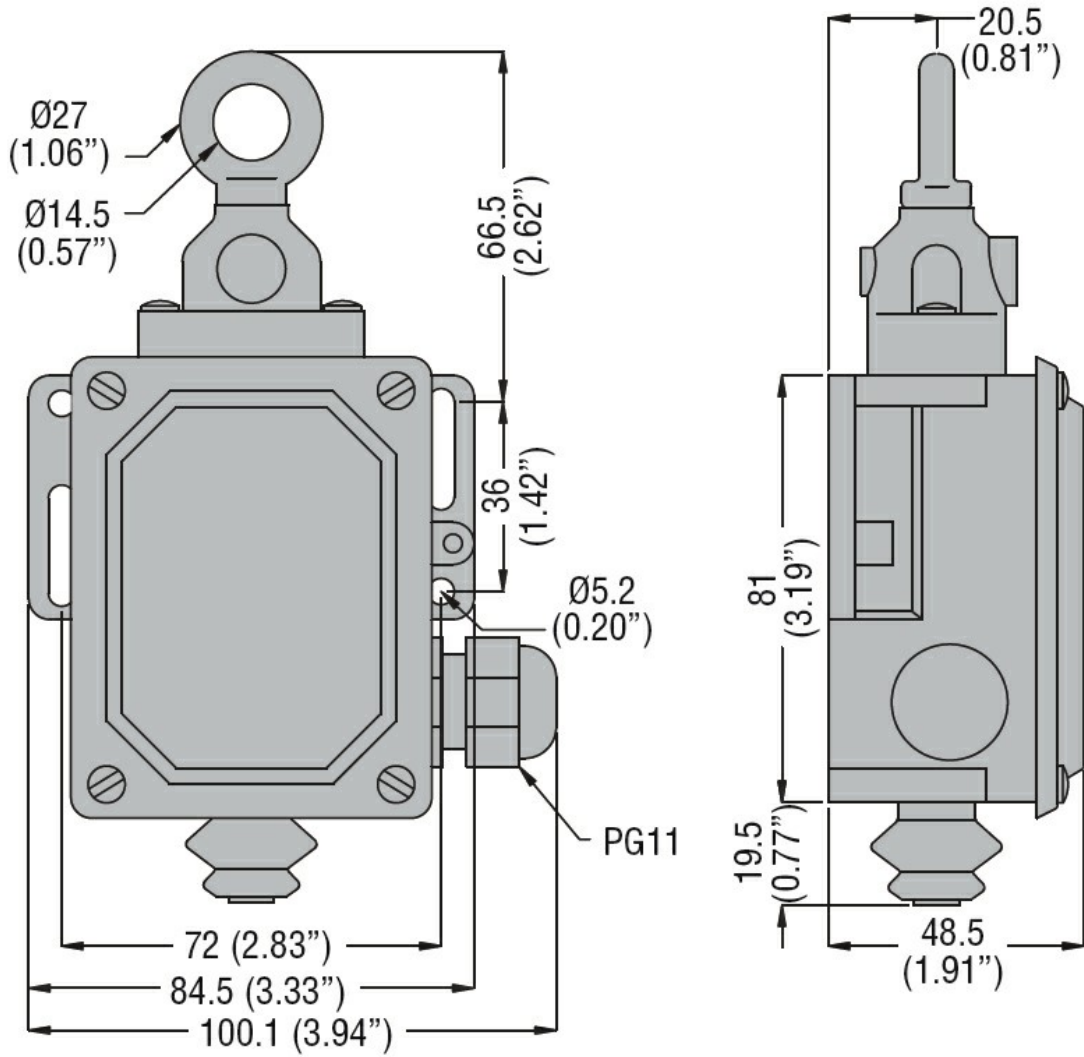
IP degree

Body housing	IP65
--------------	------

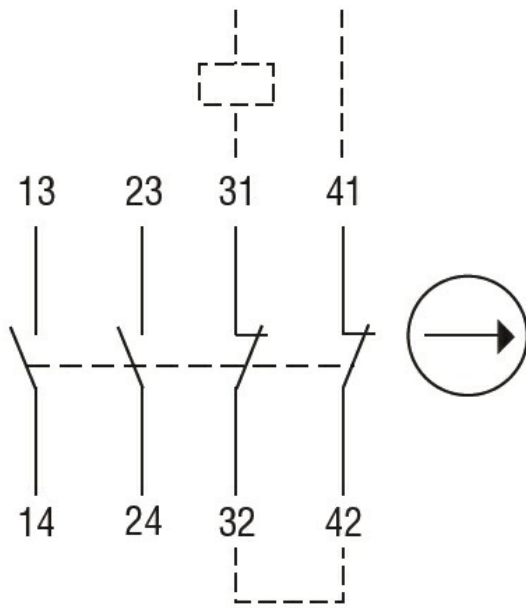
Pollution degree

3

**Dimensions**



**Wiring diagrams**



**Certifications and compliance**

Compliance

/

Certificates

EAC

**ETIM classification**

ETIM 8.0

EC000030 - End switch