



Rope-pull lever
with reset button
P2L131311

Product designation

Product type designation

General characteristics

Material

Housing

Aluminium-zinc
alloy

Contact characteristics

Type of contact

1NO+1NC

Thermal current I_{th}

A 6

Rated insulation voltage U_i

V 250

Short-circuit protection with fuse

Class/A 10 gG/SC
QUICK FUSE

IEC Conventional free air thermal current I_{th}

A 6

Resistance per pole (average value)

mΩ <10

Mechanical features

Operating head fixing

Fixed

Operating torque

N 40
lb 9

Tightening torque (Max)

Switch fixing

Nm 2.5
lbin 22.1

Contact terminals

Nm 0.8
lbin 7

Body lid screw fixing

Nm 0.8
lbin 7

Conductor section

AWG/Kcmil

max 14

IEC

min mm² 1 or 2
max mm² 2.5

Cable connection

Self-releasing
screw terminal

Cable entry

PG11 with cable
gland

Weight

g 459

Operations

Mechanical life

cycles 100000

Mechanical operation

cycles/h 1800

Ambient conditions

Temperature

Operating temperature

min	°C	-25
max	°C	+70

Storage temperature

min	°C	-40
max	°C	+70

Resistance & Protection

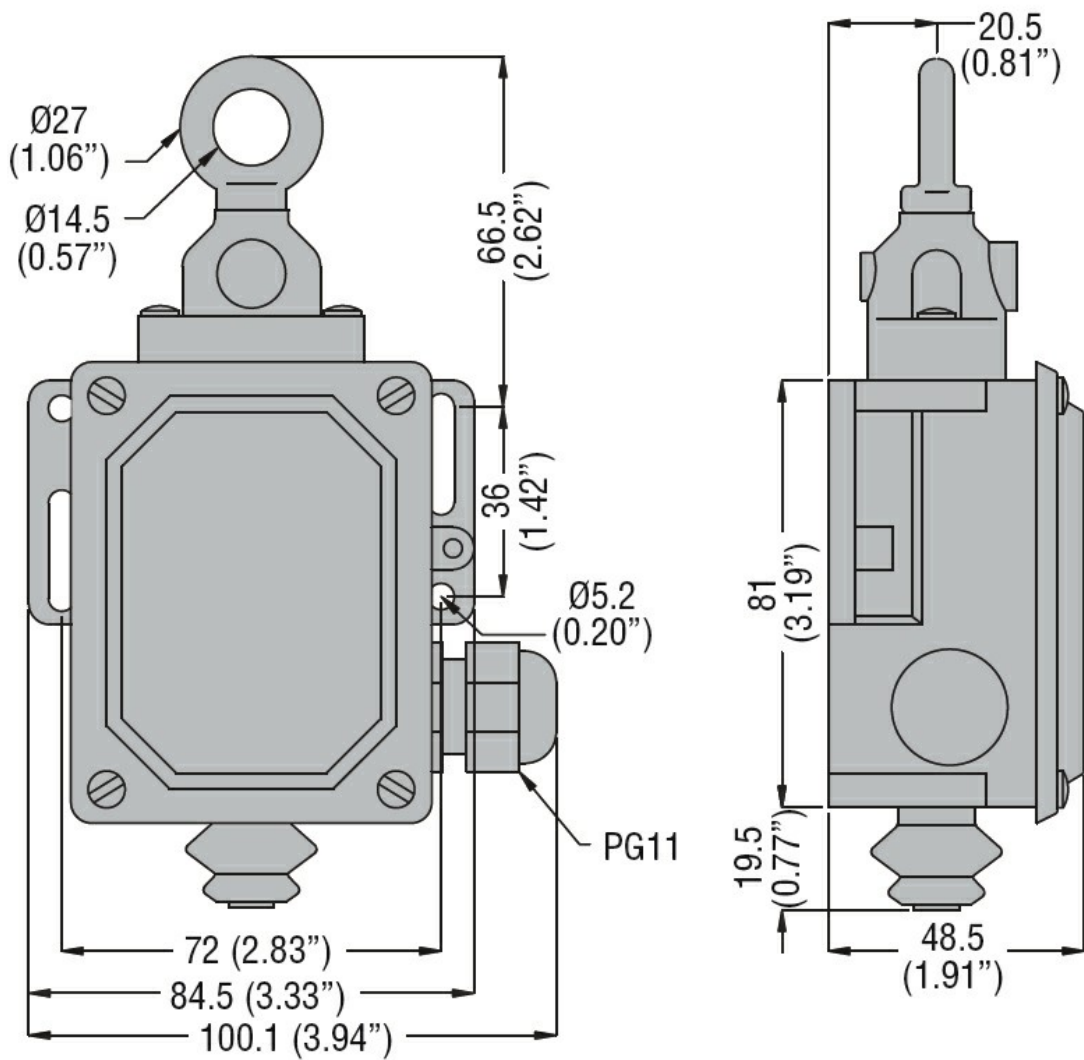
IP degree

Body housing IP65

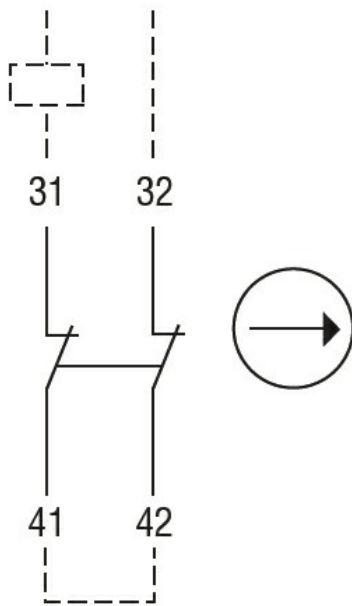
Pollution degree

3

Dimensions



Wiring diagrams



Certifications and compliance

Compliance

/

Certificates

EAC

ETIM classification

ETIM 8.0

EC000030 - End
switch