

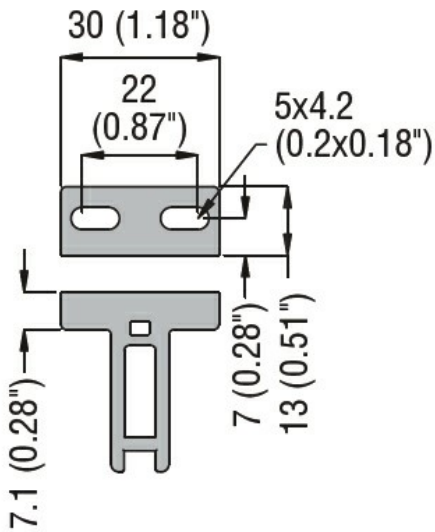


General characteristics

Key shape

Angled "T"

Dimensions



Certifications and compliance

Compliance

CSA C22.2 n° 14

EN 50047

IEC/EN 60204-1

IEC/EN 60947-1

IEC/EN 60947-5-1

UL508

Certificates

cULus

EAC

ETIM classification

ETIM 8.0

EC002498 -
 Accessories/spare
 parts for low-
 voltage switch
 technology