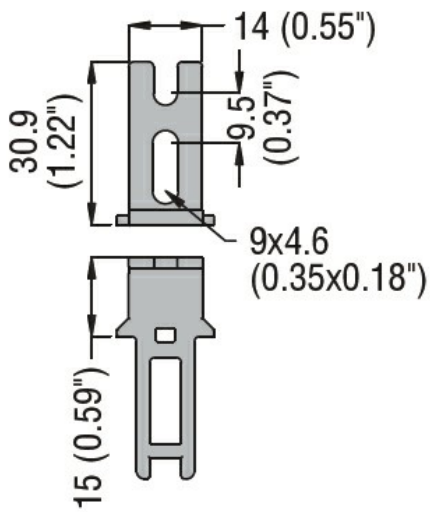




General characteristics

Key shape Angled

Dimensions



Certifications and compliance

Compliance

- CSA C22.2 n° 14
- EN 50047
- IEC/EN 60204-1
- IEC/EN 60947-1
- IEC/EN 60947-5-1
- UL508

Certificates

- cULus
- EAC

ETIM classification

ETIM 8.0

EC002498 -
 Accessories/spare
 parts for low-
 voltage switch
 technology