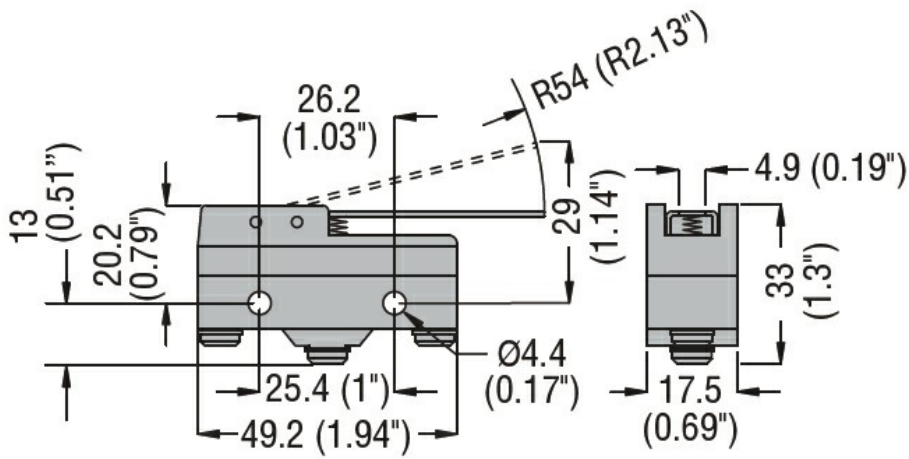
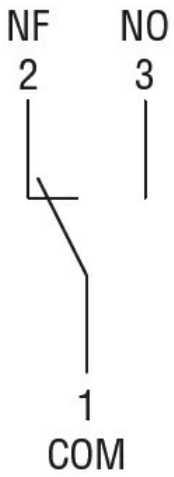




Product designation				Metal lever
Product type designation				KSL2
General characteristics				
Material	Housing			Polymer thermoplastic
Contact characteristics				
Type of contact				1NO/NC
Thermal current I _{th}	A			15
IEC/EN 60947-5-1 designation				A600 P300
Rated insulation voltage U _i	V			250
Switching speed	min	m/s	0.01	
	max	m/s	1	
Operating speed	min	m/s	0.05	
	max	m/s	1	
IEC Conventional free air thermal current I _{th}	A			15
Resistance per pole (average value)	mΩ			<15
Conductivity				10mA 5V
Mechanical features				
Terminals type				Solder
Operating head fixing				Fixed
Operating torque	N			1.3
	ozin			4.7
Weight	g			35
Operations				
Mechanical life	cycles			20000000
Electrical life	cycles			500000
Mechanical operation	cycles/h			240
Ambient conditions				
Temperature	Operating temperature			
	min	°C	-25	
	max	°C	+70	
Storage temperature	min	°C	-40	
	max	°C	+70	
Resistance & Protection				
IP degree	Body housing			IP00 or IP20 with terminal shroud
Pollution degree				3
Dimensions				



Wiring diagrams



Certifications and compliance

Compliance

- CSA C22.2 n° 14.
- IEC/EN 60947-1
- IEC/EN 60947-5-1
- IEC/EN 61058-1
- UL508

Certificates

- cURus
- EAC

ETIM classification

ETIM 8.0

EC000030 - End switch