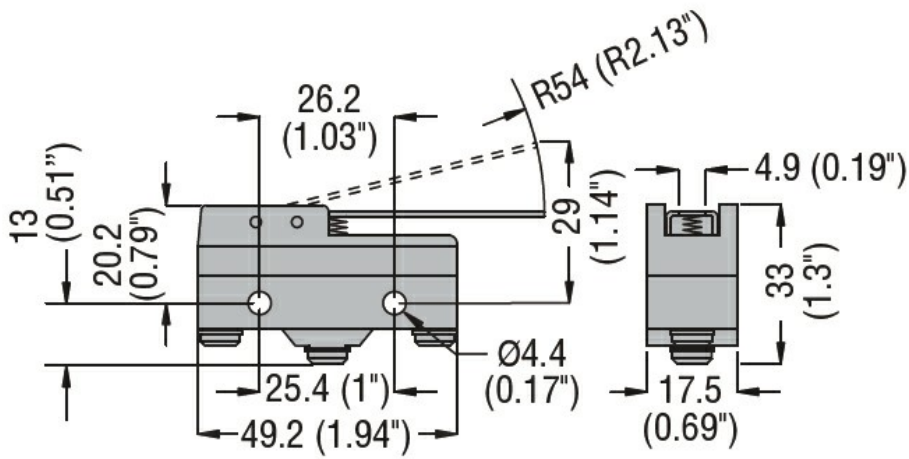
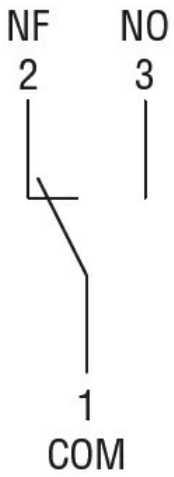




Product designation				Metal lever
Product type designation				KSL2
<b>General characteristics</b>				
Material	Housing			Polymer thermoplastic
<b>Contact characteristics</b>				
Type of contact				1NO/NC
Thermal current I <sub>th</sub>	A			15
IEC/EN 60947-5-1 designation				A600 P300
Rated insulation voltage U <sub>i</sub>	V			250
Switching speed	min	m/s	0.01	
	max	m/s	1	
Operating speed	min	m/s	0.05	
	max	m/s	1	
IEC Conventional free air thermal current I <sub>th</sub>	A			15
Resistance per pole (average value)	mΩ			<15
Conductivity				10mA 5V
<b>Mechanical features</b>				
Terminals type				Faston
Operating head fixing				Fixed
Operating torque	N			1.3
	ozin			4.7
Weight	g			37
<b>Operations</b>				
Mechanical life	cycles			20000000
Electrical life	cycles			500000
Mechanical operation	cycles/h			240
<b>Ambient conditions</b>				
Temperature	Operating temperature			
	min	°C	-25	
	max	°C	+70	
	Storage temperature			
min	°C	-40		
max	°C	+70		
<b>Resistance &amp; Protection</b>				
IP degree	Body housing			IP00 or IP20 with terminal shroud
Pollution degree				3
<b>Dimensions</b>				



**Wiring diagrams**



**Certifications and compliance**

**Compliance**

CSA C22.2 n° 14.  
 IEC/EN 60947-1  
 IEC/EN 60947-5-1  
 IEC/EN 61058-1  
 UL508

**Certificates**

cURus  
 EAC

**ETIM classification**

ETIM 8.0

EC000030 - End switch