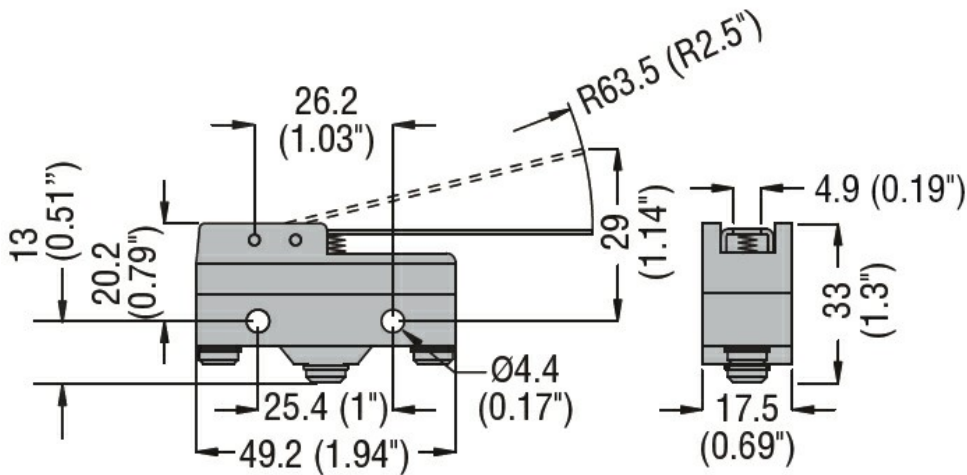
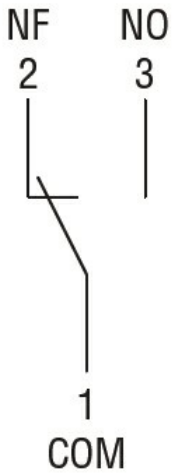




Product designation				Metal lever
Product type designation				KSL1
<b>General characteristics</b>				
Material	Housing		Polymer thermoplastic	
<b>Contact characteristics</b>				
Type of contact			1NO/NC	
Thermal current I <sub>th</sub>	A		15	
IEC/EN 60947-5-1 designation			A600 P300	
Rated insulation voltage U <sub>i</sub>	V		250	
Switching speed	min	m/s	0.01	
	max	m/s	1	
Operating speed	min	m/s	0.05	
	max	m/s	1	
IEC Conventional free air thermal current I <sub>th</sub>	A		15	
Resistance per pole (average value)	mΩ		<15	
Conductivity			10mA 5V	
<b>Mechanical features</b>				
Terminals type				Solder
Operating head fixing				Fixed
Operating torque	N		6.4	
	ozin		23	
Weight	g		35	
<b>Operations</b>				
Mechanical life	cycles		20000000	
Electrical life	cycles		500000	
Mechanical operation	cycles/h		240	
<b>Ambient conditions</b>				
Temperature	Operating temperature			
	min	°C	-25	
	max	°C	+70	
	Storage temperature			
min	°C	-40		
max	°C	+70		
<b>Resistance &amp; Protection</b>				
IP degree	Body housing		IP00 or IP20 with terminal shroud	
Pollution degree				3
<b>Dimensions</b>				



**Wiring diagrams**



**Certifications and compliance**

Compliance

CSA C22.2 n° 14.  
 IEC/EN 60947-1  
 IEC/EN 60947-5-1  
 IEC/EN 61058-1  
 UL508

Certificates

cURus  
 EAC

**ETIM classification**

ETIM 8.0

EC000030 - End switch