



Product designation Push button
Product type designation KSA9

General characteristics

Material

Housing Polymer thermoplastic

Contact characteristics

Type of contact		1NO/NC
Thermal current I _{th}	A	15
IEC/EN 60947-5-1 designation		A600 P300
Rated insulation voltage U _i	V	250

Switching speed

min	m/s	0.01
max	m/s	1

Operating speed

min	m/s	0.05
max	m/s	1

IEC Conventional free air thermal current I _{th}	A	15
Resistance per pole (average value)	mΩ	<15
Conductivity		10mA 5V

Mechanical features

Terminals type	Solder
Operating head fixing	Fixed

Operating torque

N	1.5
ozin	5.4

Weight	g	34
--------	---	----

Operations

Mechanical life	cycles	20000000
Electrical life	cycles	500000
Mechanical operation	cycles/h	240

Ambient conditions

Temperature

Operating temperature

min	°C	-25
max	°C	+70

Storage temperature

min	°C	-40
max	°C	+70

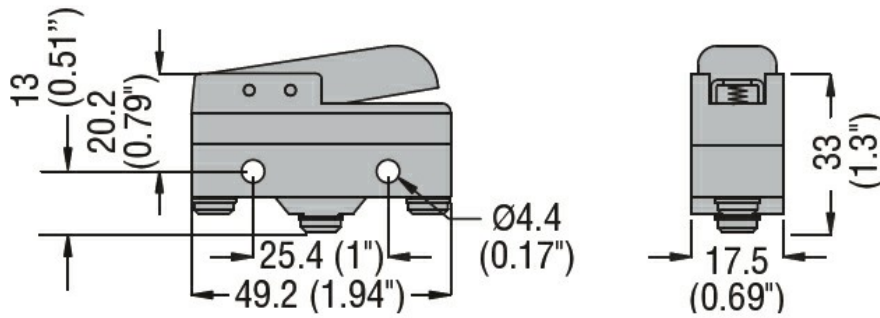
Resistance & Protection

IP degree

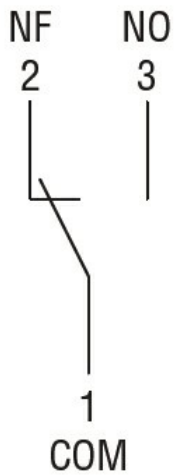
Body housing IP00 or IP20 with terminal shroud

Pollution degree	3
------------------	---

Dimensions



Wiring diagrams



Certifications and compliance

Compliance

- CSA C22.2 n° 14.
- IEC/EN 60947-1
- IEC/EN 60947-5-1
- IEC/EN 61058-1
- UL508

Certificates

- cURus
- EAC

ETIM classification

ETIM 8.0

EC000030 - End switch