



Product designation Push button  
Product type designation KSA9

**General characteristics**

Material  
Housing Polymer thermoplastic

**Contact characteristics**

Type of contact		1NO/NC
Thermal current I <sub>th</sub>	A	15
IEC/EN 60947-5-1 designation		A600 P300
Rated insulation voltage U <sub>i</sub>	V	250
Switching speed	min	m/s 0.01
	max	m/s 1

Operating speed	min	m/s 0.05
	max	m/s 1

IEC Conventional free air thermal current I <sub>th</sub>	A	15
Resistance per pole (average value)	mΩ	<15
Conductivity		10mA 5V

**Mechanical features**

Terminals type	Faston	
Operating head fixing	Fixed	
Operating torque	N	1.5
	ozin	5.4
Weight	g	35

**Operations**

Mechanical life	cycles	20000000
Electrical life	cycles	500000
Mechanical operation	cycles/h	240

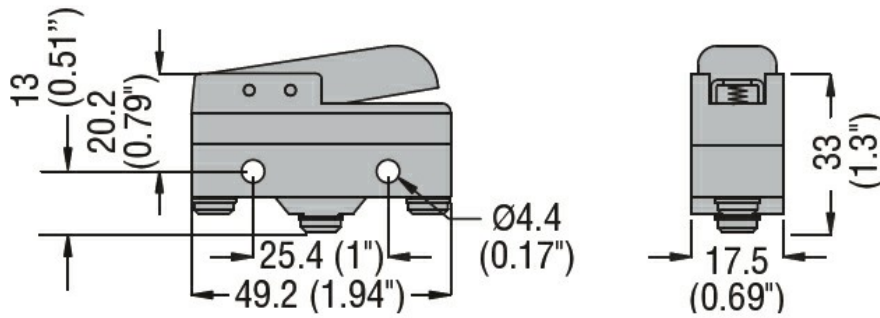
**Ambient conditions**

Temperature	Operating temperature	min	°C	-25
		max	°C	+70
Storage temperature	min	°C	-40	
	max	°C	+70	

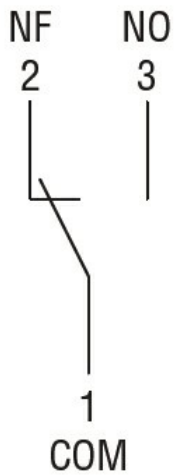
**Resistance & Protection**

IP degree	Body housing	IP00 or IP20 with terminal shroud
Pollution degree		3

**Dimensions**



Wiring diagrams



Certifications and compliance

Compliance

CSA C22.2 n° 14.  
 IEC/EN 60947-1  
 IEC/EN 60947-5-1  
 IEC/EN 61058-1  
 UL508

Certificates

cURus  
 EAC

ETIM classification

ETIM 8.0

EC000030 - End  
 switch