



Top push rod -
metal and high
rod plunger
KSA2

Product designation

Product type designation

General characteristics

Material

Housing

Polymer
thermoplastic

Contact characteristics

Type of contact			1NO/NC
Thermal current I _{th}		A	15
IEC/EN 60947-5-1 designation			A600 P300
Rated insulation voltage U _i		V	250
Switching speed	min	m/s	0.01
	max	m/s	1

Operating speed

min	m/s	0.05
max	m/s	1

IEC Conventional free air thermal current I _{th}		A	15
Resistance per pole (average value)		mΩ	<15
Conductivity			10mA 5V

Mechanical features

Terminals type			Screw
Operating head fixing			Fixed
Operating torque		N	2.5
		ozin	9
Weight		g	33

Operations

Mechanical life		cycles	20000000
Electrical life		cycles	500000
Mechanical operation		cycles/h	240

Ambient conditions

Temperature

Operating temperature

min	°C	-25
max	°C	+70

Storage temperature

min	°C	-40
max	°C	+70

Resistance & Protection

IP degree

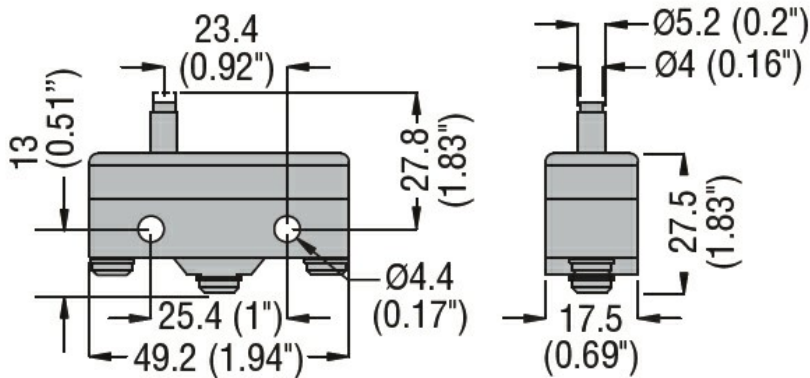
Body housing

IP00 or IP20 with
terminal shroud

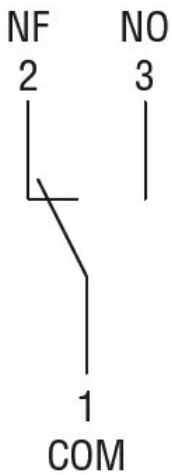
Pollution degree

3

Dimensions



Wiring diagrams



Certifications and compliance

Compliance

CSA C22.2 n° 14.
 IEC/EN 60947-1
 IEC/EN 60947-5-1
 IEC/EN 61058-1
 UL508

Certificates

cURus
 EAC

ETIM classification

ETIM 8.0

EC000030 - End switch