



Product designation

Omnidirectional
wobble stick

Product type designation

KPM2

General characteristics

Material

Housing

Aluminium-zinc
alloy

Roller

Metal

Contact characteristics

Type of contact

1NO+1NC Snap
action

Thermal current I_{th}

A 10

IEC/EN 60947-5-1 designation

B300 R300

Rated insulation voltage U_i

V 400

Rated impulse withstand voltage U_{imp}

kV 4

Insulation class

I

IEC Conventional free air thermal current I_{th}

A 10

Resistance per pole (average value)

mΩ <25

Conductivity

10mA 5V

Mechanical features

Operating head fixing

Fixed

Operating torque

N 100
lb 0.9

Tightening torque (Max)

Switch fixing

Nm 2.5
lbin 22.1

Weight

g 298

Operations

Mechanical life

cycles >10000000

Mechanical operation

cycles/h 3600

Ambient conditions

Temperature

Operating temperature

min °C -25
max °C +70

Storage temperature

min °C -40
max °C +70

Resistance & Protection

IP degree

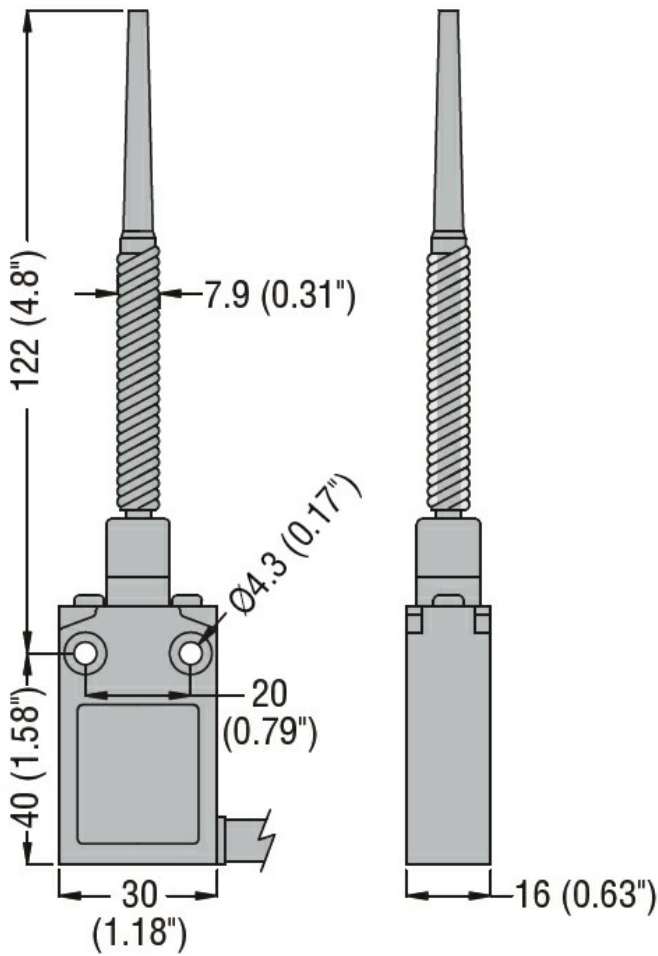
Body housing

IP67

Pollution degree

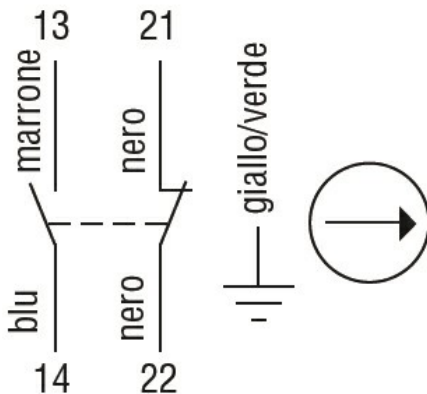
3

Dimensions



Wiring diagrams

Snap action



1NO + 1NC

Certifications and compliance

Compliance

CSA C22.2 n° 14.

IEC/EN 60947-1

IEC/EN 60947-5-1

UL508

Certificates

cULus

EAC

ETIM classification

ETIM 8.0

EC000030 - End
switch