



Adjustable rod lever
KNL

Product designation

Product type designation

General characteristics

Material

| | |
|---------|----------------------|
| Housing | Aluminium-zinc alloy |
| Rod | Steel |

Contact characteristics

| | | | |
|---|---------|------------------------|-----------------|
| Type of contact | | | 2NC Snap action |
| Thermal current I _{th} | A | 10 | |
| IEC/EN 60947-5-1 designation | | | A300 Q300 |
| Rated insulation voltage U _i | V | 440 | |
| Rated impulse withstand voltage U _{imp} | kV | 4 | |
| Short-circuit protection with fuse | Class/A | 10 gG/SC QUICK FUSE | |
| Switching speed | min | m/s | 0.5 |
| | max | m/s | 1.5 |
| IEC Conventional free air thermal current I _{th} | A | 10 | |
| Resistance per pole (average value) | mΩ | <10 | |

Mechanical features

| | | | | |
|-------------------------|-------------------|------|-------------------------------|--------|
| Operating head fixing | | | Locking bayonet insert | |
| Operating torque | Ncm | 3 | | |
| | ozin | 4.25 | | |
| Tightening torque (Max) | Switch fixing | Nm | 2.5 | |
| | | lbin | 22.1 | |
| | Contact terminals | Nm | 0.8 | |
| | | lbin | 7 | |
| Body lid screw fixing | Nm | 0.8 | | |
| | lbin | 7 | | |
| Conductor section | AWG/Kcmil | min | 16 | |
| | | max | 14 | |
| | IEC | min | mm ² | 1 or 2 |
| | | max | mm ² | 2.5 |
| Cable connection | | | Self-releasing screw terminal | |

Cable entry M20 on the sides

Operations

Mechanical life cycles <10000000
Mechanical operation cycles/h 3600

Ambient conditions

Temperature

Operating temperature

min °C -25
max °C +70

Storage temperature

min °C -40
max °C +70

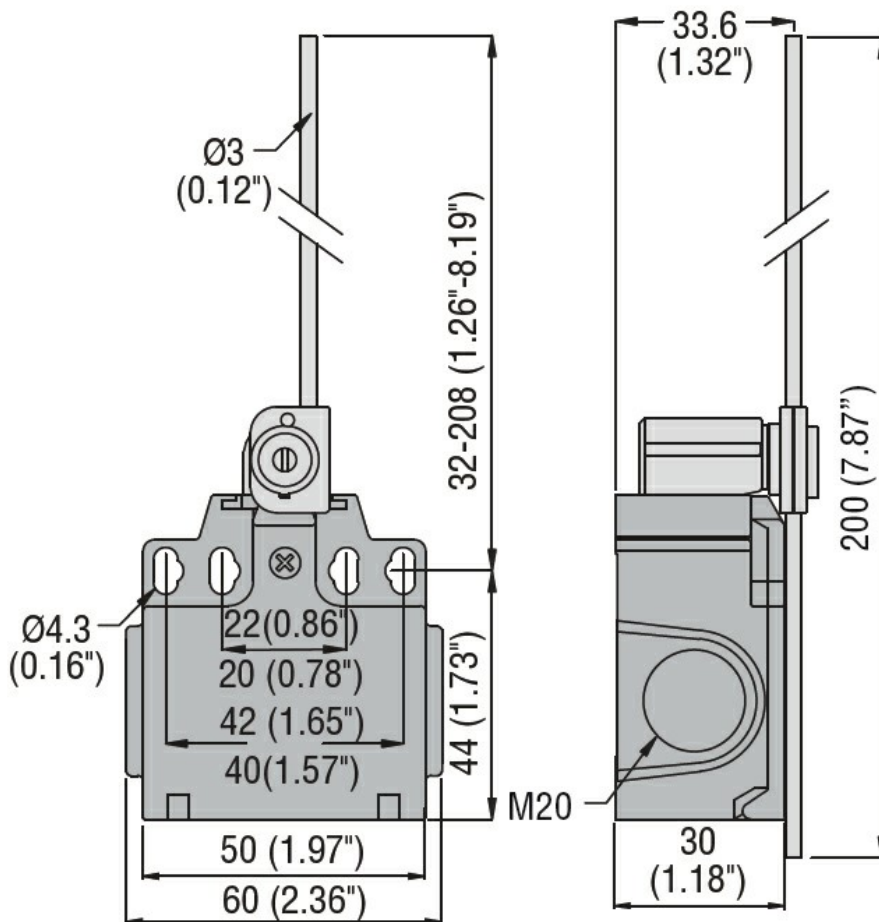
Resistance & Protection

IP degree

Terminals IP20
Body housing IP65

Pollution degree 3

Dimensions



Wiring diagrams

Snap action



Certifications and compliance

Compliance

CSA C22.2 n° 14
EN 50047
IEC/EN 60204-1
IEC/EN 60947-1
IEC/EN 60947-5-1
UL508

Certificates

CCC
cULus
EAC

ETIM classification

ETIM 8.0

EC000030 - End
switch