



Adjustable rod lever  
KNL

Product designation

Product type designation

**General characteristics**

Material

|         |                      |
|---------|----------------------|
| Housing | Aluminium-zinc alloy |
| Rod     | Steel                |

**Contact characteristics**

Type of contact

1NO+1NC Slow action make before break

|  |         |                     |
|--|---------|---------------------|
| Thermal current I <sub>th</sub>                  | A       | 10                  |
| IEC/EN 60947-5-1 designation                     |         | A300 Q300           |
| Rated insulation voltage U <sub>i</sub>          | V       | 440                 |
| Rated impulse withstand voltage U <sub>imp</sub> | kV      | 4                   |
| Short-circuit protection with fuse               | Class/A | 10 gG/SC QUICK FUSE |

Switching speed

|     |     |     |
|-----|-----|-----|
| min | m/s | 0.5 |
| max | m/s | 1.5 |

|   |    |     |
|---|----|-----|
| IEC Conventional free air thermal current I <sub>th</sub> | A  | 10  |
| Resistance per pole (average value)                       | mΩ | <10 |

**Mechanical features**

Operating head fixing

Locking bayonet insert

Operating torque

|      |      |
|------|------|
| Ncm  | 3    |
| ozin | 4.25 |

Tightening torque (Max)

Switch fixing

|      |      |
|------|------|
| Nm   | 2.5  |
| lbin | 22.1 |

Contact terminals

|      |     |
|------|-----|
| Nm   | 0.8 |
| lbin | 7   |

Body lid screw fixing

|      |     |
|------|-----|
| Nm   | 0.8 |
| lbin | 7   |

Conductor section

AWG/Kcmil

|     |  |    |
|-----|--|----|
| min |  | 16 |
| max |  | 14 |

IEC

|     |                 |        |
|-----|-----------------|--------|
| min | mm <sup>2</sup> | 1 or 2 |
| max | mm <sup>2</sup> | 2.5    |

|                  |                               |
|------------------|-------------------------------|
| Cable connection | Self-releasing screw terminal |
| Cable entry      | M20 on the sides              |

**Operations**

|                      |          |           |
|----------------------|----------|-----------|
| Mechanical life      | cycles   | <10000000 |
| Mechanical operation | cycles/h | 3600      |

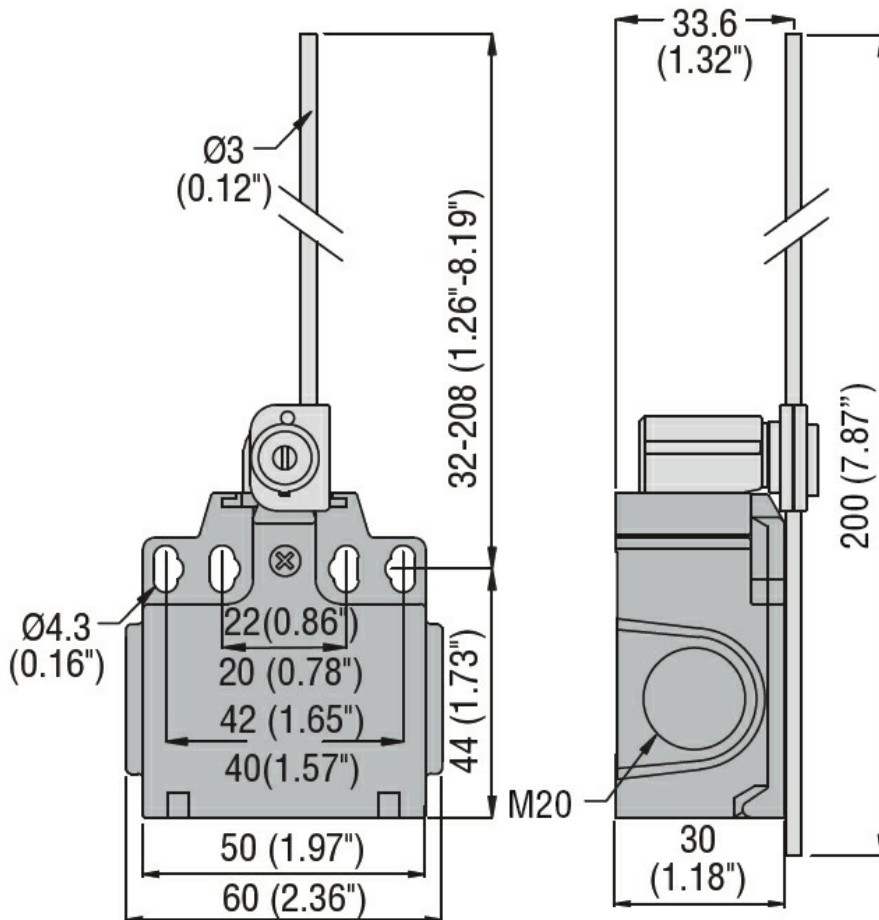
**Ambient conditions**

|             |                       |     |    |     |
|-------------|-----------------------|-----|----|-----|
| Temperature | Operating temperature | min | °C | -25 |
|             |                       | max | °C | +70 |
|             | Storage temperature   | min | °C | -40 |
|             |                       | max | °C | +70 |

**Resistance & Protection**

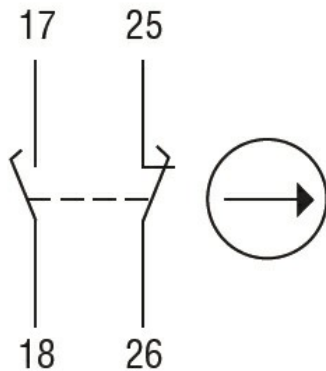
|                  |              |      |
|------------------|--------------|------|
| IP degree        | Terminals    | IP20 |
|                  | Body housing | IP65 |
| Pollution degree |              | 3    |

**Dimensions**



**Wiring diagrams**

## Slow action



**1NO + 1NC**  
**make before break**

### Certifications and compliance

#### Compliance

CSA C22.2 n° 14

EN 50047

IEC/EN 60204-1

IEC/EN 60947-1

IEC/EN 60947-5-1

UL508

#### Certificates

CCC

cULus

EAC

### ETIM classification

ETIM 8.0

EC000030 - End  
switch