



Adjustable roller lever
KNF

Product designation

Product type designation

General characteristics

Material

| | |
|---------|----------------------|
| Housing | Aluminium-zinc alloy |
| Roller | Rubber |

Contact characteristics

| | | |
|---|---------|---------------------|
| Type of contact | | 1NO+1NC Slow action |
| Thermal current I _{th} | A | 10 |
| IEC/EN 60947-5-1 designation | | A300 Q300 |
| Rated insulation voltage U _i | V | 440 |
| Rated impulse withstand voltage U _{imp} | kV | 4 |
| Insulation class | | II |
| Short-circuit protection with fuse | Class/A | 10 gG/SC QUICK FUSE |
| Switching speed | min | m/s 0.5 |
| | max | m/s 1.5 |
| IEC Conventional free air thermal current I _{th} | A | 10 |
| Resistance per pole (average value) | mΩ | <10 |

Mechanical features

| | | |
|-------------------------|------|------------------------|
| Operating head fixing | | Locking bayonet insert |
| Operating torque | Ncm | 3 |
| | ozin | 4.25 |
| Tightening torque (Max) | | |
| Switch fixing | Nm | 2.5 |
| | lbin | 22.1 |
| Contact terminals | Nm | 0.8 |
| | lbin | 7 |
| Body lid screw fixing | Nm | 0.8 |
| | lbin | 7 |
| Conductor section | | |
| AWG/Kcmil | min | 16 |
| | max | 14 |
| IEC | min | mm ² 1or 2 |
| | max | mm ² 2.5 |

| | |
|------------------|-------------------------------|
| Cable connection | Self-releasing screw terminal |
| Cable entry | M20 on the sides |

Operations

| | | |
|----------------------|----------|-----------|
| Mechanical life | cycles | <10000000 |
| Mechanical operation | cycles/h | 3600 |

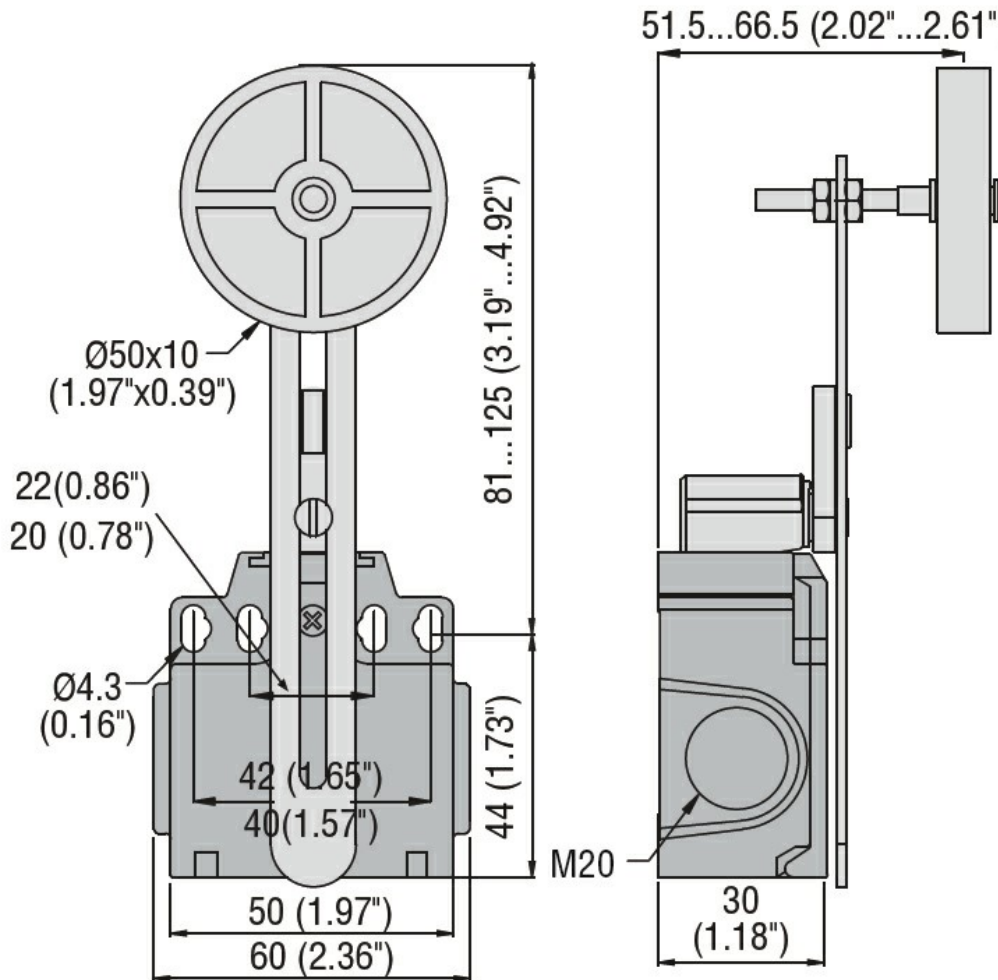
Ambient conditions

| | | | | |
|-------------|-----------------------|-----|----|-----|
| Temperature | Operating temperature | min | °C | -25 |
| | | max | °C | +70 |
| | Storage temperature | min | °C | -40 |
| | | max | °C | +70 |

Resistance & Protection

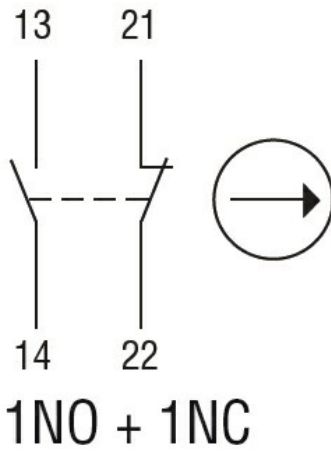
| | | |
|------------------|--------------|------|
| IP degree | Terminals | IP20 |
| | Body housing | IP65 |
| Pollution degree | | 3 |

Dimensions



Wiring diagrams

Slow action



Certifications and compliance

Compliance

CSA C22.2 n° 14

EN 50047

IEC/EN 60204-1

IEC/EN 60947-1

IEC/EN 60947-5-1

UL508

Certificates

CCC

cULus

EAC

ETIM classification

ETIM 8.0

EC000030 - End
switch