



Top roller push plunger  
KNB

Product designation

Product type designation

**General characteristics**

Material

Housing	Aluminium-zinc alloy
Roller	Plastic

**Contact characteristics**

Type of contact			2NC Slow action
Thermal current I <sub>th</sub>	A	10	
IEC/EN 60947-5-1 designation			A300 Q300
Rated insulation voltage U <sub>i</sub>	V	440	
Rated impulse withstand voltage U <sub>imp</sub>	kV	4	
Short-circuit protection with fuse	Class/A	10 gG/SC QUICK FUSE	
Switching speed	min	m/s	0.5
	max	m/s	1.5
IEC Conventional free air thermal current I <sub>th</sub>	A	10	
Resistance per pole (average value)	mΩ	<10	

**Mechanical features**

Operating head fixing			Locking bayonet insert	
Operating torque	N	5		
	lb	1.1		
Tightening torque (Max)	Switch fixing	Nm	2.5	
		lbin	22.1	
	Contact terminals	Nm	0.8	
		lbin	7	
Body lid screw fixing	Nm	0.8		
	lbin	7		
Conductor section	AWG/Kcmil	min	16	
		max	14	
	IEC	min	mm <sup>2</sup>	1 or 2
		max	mm <sup>2</sup>	2.5
Cable connection			Self-releasing screw terminal	

Cable entry M20 on the sides

**Operations**

Mechanical life cycles <10000000  
Mechanical operation cycles/h 3600

**Ambient conditions**

Temperature

Operating temperature

min °C -25  
max °C +70

Storage temperature

min °C -40  
max °C +70

**Resistance & Protection**

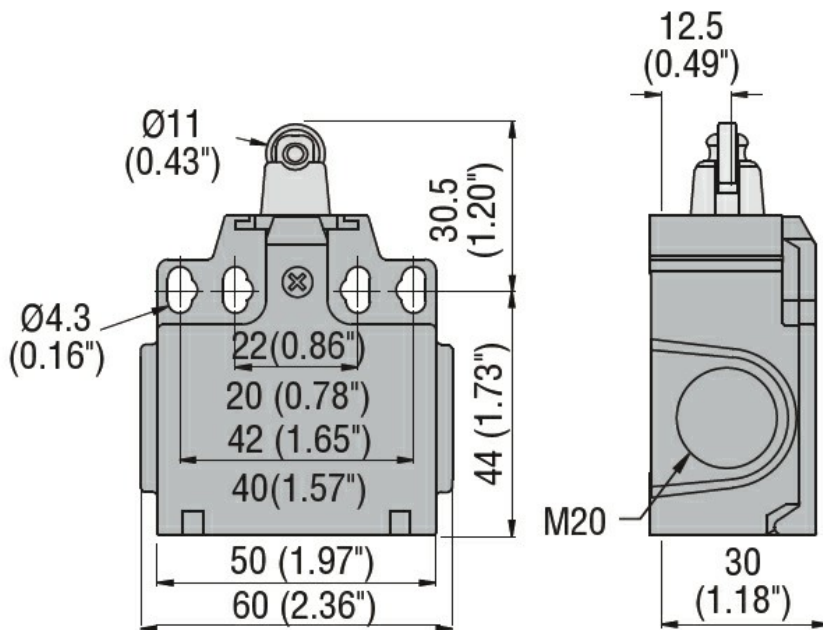
IP degree

Terminals IP20  
Body housing IP65

Pollution degree

3

**Dimensions**



**Wiring diagrams**

## Slow action



### Certifications and compliance

#### Compliance

CSA C22.2 n° 14  
EN 50047  
IEC/EN 60204-1  
IEC/EN 60947-1  
IEC/EN 60947-5-1  
UL508

#### Certificates

CCC  
cULus  
EAC

### ETIM classification

ETIM 8.0

EC000030 - End  
switch