

LIMIT SWITCH, K SERIES, ADJUSTABLE ROLLER LEVER, 1 BOTTOM CABLE ENTRY.
DIMENSIONS TO EN 50047, METAL BODY, CONTACTS 1NO+1NC SLOW ACTION MAKE
BEFORE BREAK. RUBBER ROLLER WITH OFFSET ALIGNMENT



Product designation

Adjustable roller
lever

Product type designation

KMF

General characteristics

Material

Housing

Aluminium-zinc
alloy

Roller

Rubber

Contact characteristics

Type of contact

1NO+1NC Slow
action make
before break

Thermal current I_{th}

A

10

IEC/EN 60947-5-1 designation

A300 Q300

Rated insulation voltage U_i

V

440

Rated impulse withstand voltage U_{imp}

kV

4

Short-circuit protection with fuse

Class/A

10 gG/SC
QUICK FUSE

Switching speed

min

m/s

0.5

max

m/s

1.5

IEC Conventional free air thermal current I_{th}

A

10

Resistance per pole (average value)

mΩ

<10

Mechanical features

Operating head fixing

Locking bayonet
insert

Operating torque

Ncm

3

ozin

4.25

Tightening torque (Max)

Switch fixing

Nm

2.5

lbin

22.1

Contact terminals

Nm

0.8

lbin

7

Body lid screw fixing

Nm

0.8

lbin

7

Conductor section

AWG/Kcmil

min

16

max

14

IEC

min

mm²

1 or 2

max

mm²

2.5

LIMIT SWITCH, K SERIES, ADJUSTABLE ROLLER LEVER, 1 BOTTOM CABLE ENTRY.
DIMENSIONS TO EN 50047, METAL BODY, CONTACTS 1NO+1NC SLOW ACTION MAKE
BEFORE BREAK. RUBBER ROLLER WITH OFFSET ALIGNMENT

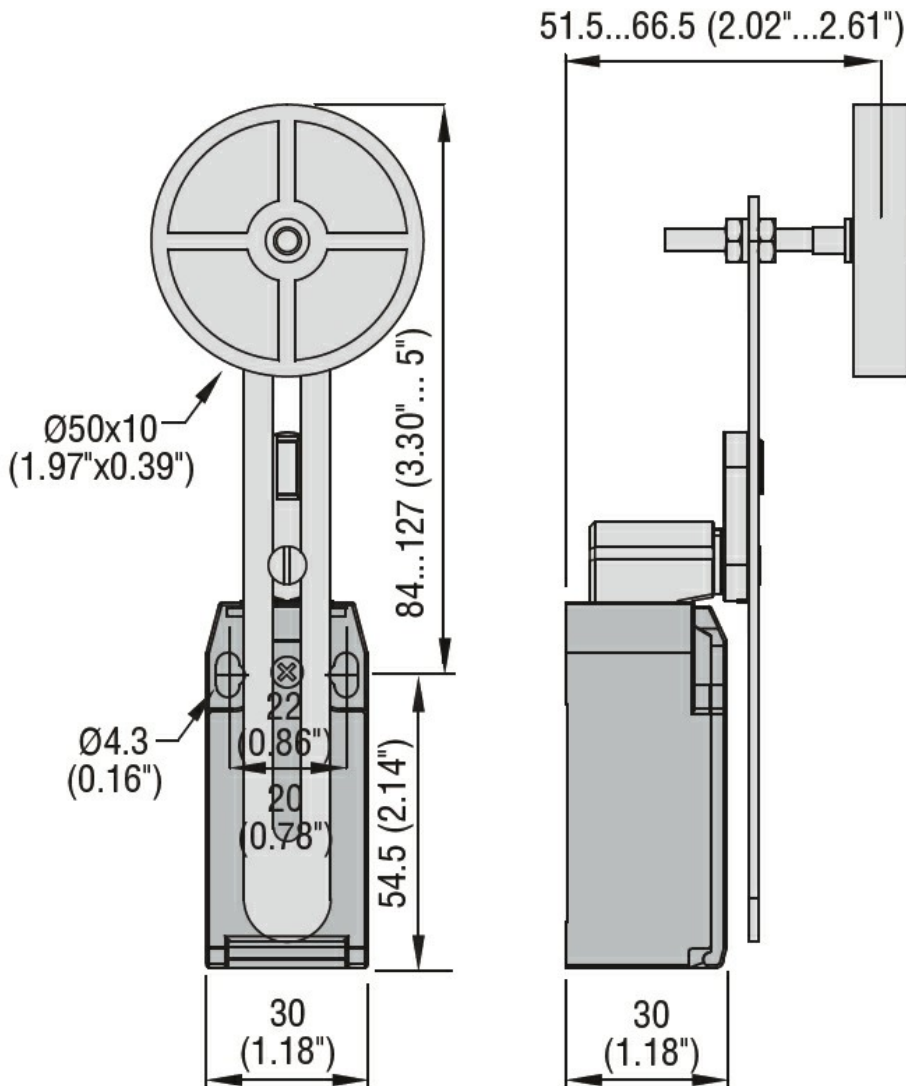
Cable connection	Self-releasing screw terminal
Cable entry	M20 on the bottom

Operations	
Mechanical life	cycles <10000000
Mechanical operation	cycles/h 3600

Ambient conditions	
Temperature	
Operating temperature	
min	°C -25
max	°C +70
Storage temperature	
min	°C -40
max	°C +70

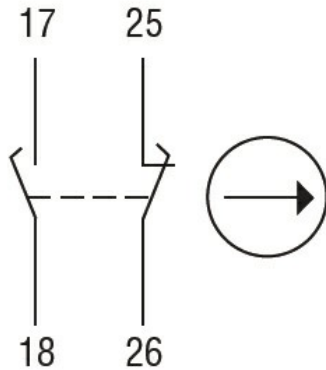
Resistance & Protection	
IP degree	
Terminals	IP20
Body housing	IP65
Pollution degree	3

Dimensions



Wiring diagrams

Slow action



1NO + 1NC
make before break

Certifications and compliance

Compliance

CSA C22.2 n° 14

EN 50047

IEC/EN 60204-1

IEC/EN 60947-1

IEC/EN 60947-5-1

UL508

Certificates

CCC

cULus

EAC

ETIM classification

ETIM 8.0

EC000030 - End
switch