



Product designation

Roller centre  
push lever

Product type designation

KMC

**General characteristics**

Material

Housing

Aluminium-zinc  
alloy

Roller

Plastic

**Contact characteristics**

Type of contact

1NO+1NC Snap  
action

Thermal current I<sub>th</sub>

A

10

IEC/EN 60947-5-1 designation

A300 Q300

Rated insulation voltage U<sub>i</sub>

V

440

Rated impulse withstand voltage U<sub>imp</sub>

kV

4

Short-circuit protection with fuse

Class/A

10 gG/SC  
QUICK FUSE

Switching speed

min

m/s

0.5

max

m/s

1.5

IEC Conventional free air thermal current I<sub>th</sub>

A

10

Resistance per pole (average value)

mΩ

<10

**Mechanical features**

Operating head fixing

Locking bayonet  
insert

Operating torque

N

6

lb

1.34

Tightening torque (Max)

Switch fixing

Nm

2.5

lbin

22.1

Contact terminals

Nm

0.8

lbin

7

Body lid screw fixing

Nm

0.8

lbin

7

Conductor section

AWG/Kcmil

min

16

max

14

IEC

min

mm<sup>2</sup>

1 or 2

max

mm<sup>2</sup>

2.5

|                  |                               |
|------------------|-------------------------------|
| Cable connection | Self-releasing screw terminal |
| Cable entry      | M20 on the bottom             |

**Operations**

|                      |          |           |
|----------------------|----------|-----------|
| Mechanical life      | cycles   | <10000000 |
| Mechanical operation | cycles/h | 3600      |

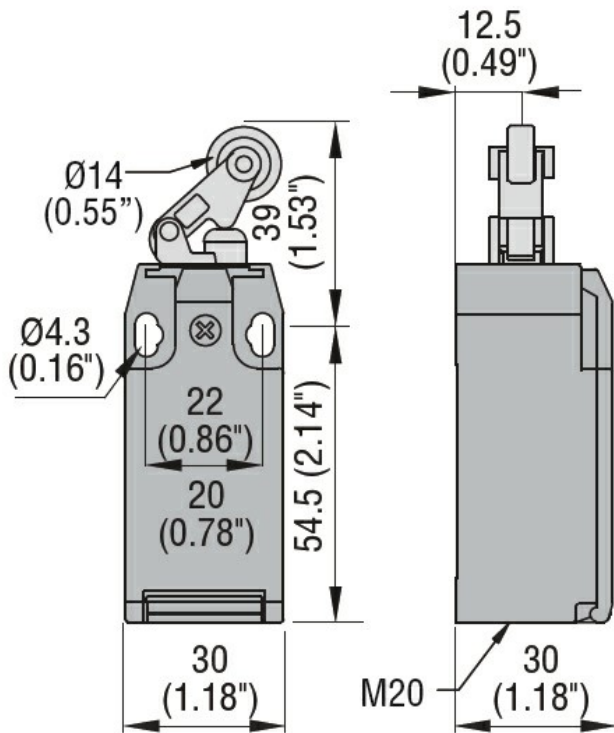
**Ambient conditions**

|                       |     |    |     |
|-----------------------|-----|----|-----|
| Temperature           |     |    |     |
| Operating temperature |     |    |     |
|                       | min | °C | -25 |
|                       | max | °C | +70 |
| Storage temperature   |     |    |     |
|                       | min | °C | -40 |
|                       | max | °C | +70 |

**Resistance & Protection**

|                  |              |      |
|------------------|--------------|------|
| IP degree        | Terminals    | IP20 |
|                  | Body housing | IP65 |
| Pollution degree |              | 3    |

**Dimensions**



**Wiring diagrams**

## Snap action



### Certifications and compliance

#### Compliance

CSA C22.2 n° 14

EN 50047

IEC/EN 60204-1

IEC/EN 60947-1

IEC/EN 60947-5-1

UL508

#### Certificates

CCC

cULus

EAC

### ETIM classification

ETIM 8.0

EC000030 - End  
switch