



Product designation

Top push rod
plunger

Product type designation

KMA

General characteristics

Material

Housing

Aluminium-zinc
alloy

Rod

Aluminium-zinc
alloy

Contact characteristics

Type of contact

2NO Slow action

Thermal current I_{th}

A 10

IEC/EN 60947-5-1 designation

A300 Q300

Rated insulation voltage U_i

V 440

Rated impulse withstand voltage U_{imp}

kV 4

Insulation class

II

Short-circuit protection with fuse

Class/A 10 gG/SC
QUICK FUSE

Switching speed

| | | |
|-----|-----|-----|
| min | m/s | 0.5 |
| max | m/s | 1.5 |

IEC Conventional free air thermal current I_{th}

A 10

Resistance per pole (average value)

mΩ <10

Mechanical features

Operating head fixing

Locking bayonet
insert

Operating torque

| | |
|----|-----|
| N | 5 |
| lb | 1.1 |

Tightening torque (Max)

Switch fixing

| | |
|------|------|
| Nm | 2.5 |
| lbin | 22.1 |

Contact terminals

| | |
|------|-----|
| Nm | 0.8 |
| lbin | 7 |

Body lid screw fixing

| | |
|------|-----|
| Nm | 0.8 |
| lbin | 7 |

Conductor section

AWG/Kcmil

| | |
|-----|----|
| min | 16 |
| max | 14 |

IEC

| | | |
|-----|-----------------|-------|
| min | mm ² | 1or 2 |
| max | mm ² | 2.5 |

| | |
|------------------|-------------------------------|
| Cable connection | Self-releasing screw terminal |
| Cable entry | M20 on the bottom |

Operations

| | | |
|----------------------|----------|-----------|
| Mechanical life | cycles | <10000000 |
| Mechanical operation | cycles/h | 3600 |

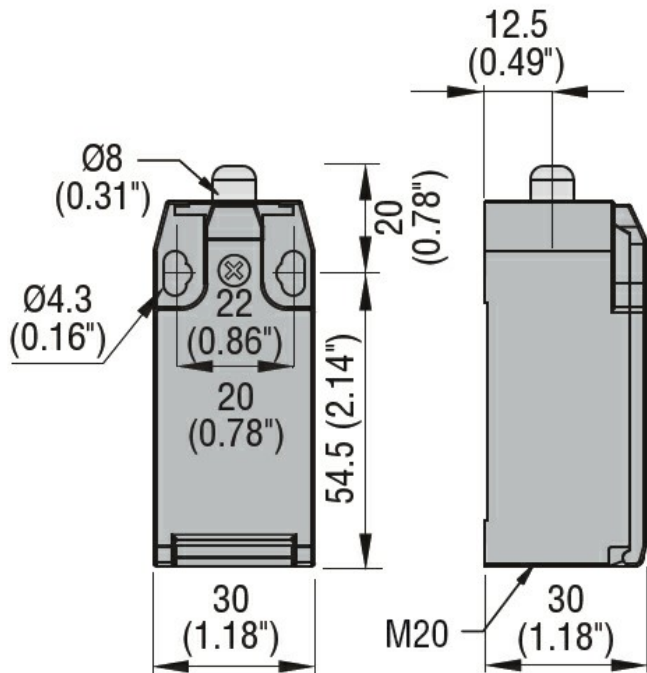
Ambient conditions

| | | | | |
|-------------|-----------------------|-----|----|-----|
| Temperature | Operating temperature | min | °C | -25 |
| | | max | °C | +70 |
| | Storage temperature | min | °C | -40 |
| | | max | °C | +70 |

Resistance & Protection

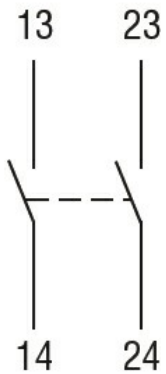
| | | |
|------------------|--------------|------|
| IP degree | Terminals | IP20 |
| | Body housing | IP65 |
| Pollution degree | | 3 |

Dimensions



Wiring diagrams

Slow action



2NO

Certifications and compliance

Compliance

CSA C22.2 n° 14

EN 50047

IEC/EN 60204-1

IEC/EN 60947-1

IEC/EN 60947-5-1

UL508

Certificates

CCC

cULus

EAC

ETIM classification

ETIM 8.0

EC000030 - End
switch