



Adjustable roller lever
KCF

Product designation

Product type designation

General characteristics

Material

Housing
Roller

Polymer
thermoplastic
Plastic

Contact characteristics

Type of contact

1NO+1NC Slow
action make
before break

Thermal current I_{th}

A 10

IEC/EN 60947-5-1 designation

A600 Q600

Rated insulation voltage U_i

V 690

Rated impulse withstand voltage U_{imp}

kV 6

Insulation class

II

Short-circuit protection with fuse

Class/A 10 gG/SC
QUICK FUSE

Switching speed

min	m/s	0.5
max	m/s	1.5

IEC Conventional free air thermal current I_{th}

A 10

Resistance per pole (average value)

mΩ <10

Mechanical features

Operating head fixing

Locking bayonet
insert

Operating torque

Ncm	3
ozin	4.25

Tightening torque (Max)

Switch fixing

Nm	2.5
lbin	22.1

Contact terminals

Nm	0.8
lbin	7

Body lid screw fixing

Nm	0.8
lbin	7

Conductor section

AWG/Kcmil

min	16
max	14

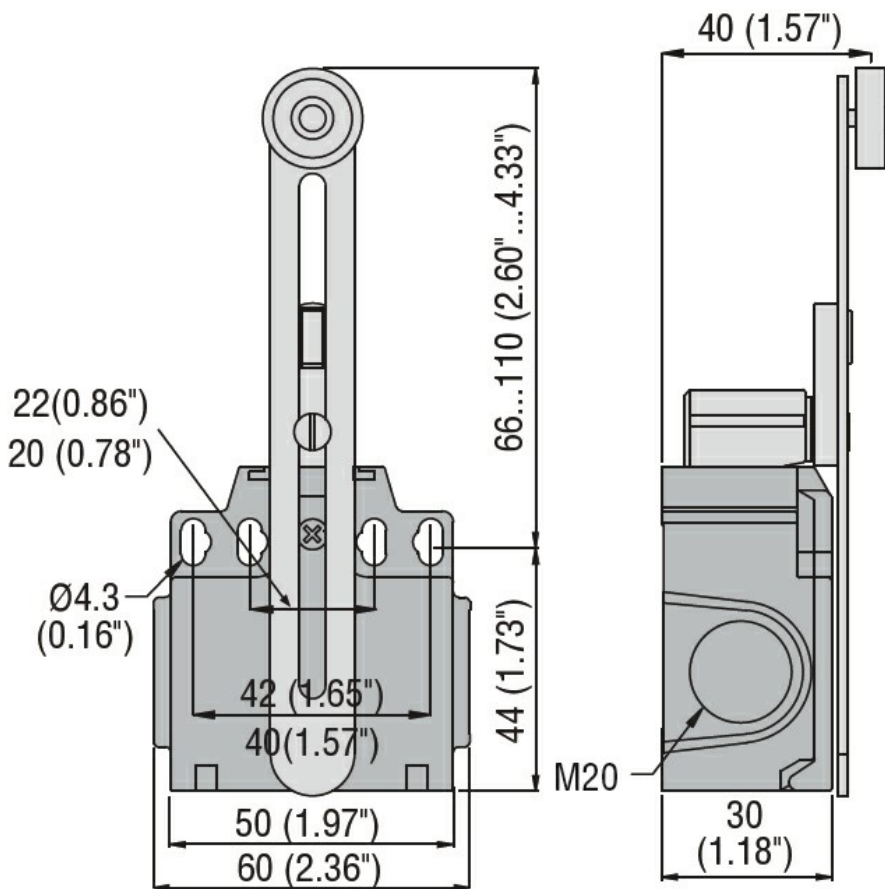
IEC

min	mm ²	1or 2
-----	-----------------	-------

LIMIT SWITCH, K SERIES, ADJUSTABLE ROLLER LEVER, 2 SIDE CABLE ENTRY.
DIMENSIONS COMPATIBLE TO EN 50047, PLASTIC BODY, CONTACTS 1NO+1NC SLOW
ACTION MAKE BEFORE BREAK. PLASTIC PLUNGER

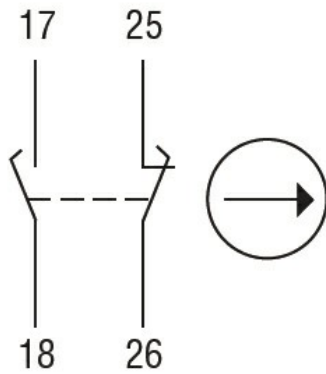
	max	mm ²	2.5
Cable connection			Self-releasing screw terminal
Cable entry			M20 on the sides
Operations			
Mechanical life	cycles		<10000000
Mechanical operation	cycles/h		3600
Ambient conditions			
Temperature			
Operating temperature			
	min	°C	-25
	max	°C	+70
Storage temperature			
	min	°C	-40
	max	°C	+70
Resistance & Protection			
IP degree			
	Terminals		IP20
	Body housing		IP65
Pollution degree			3

Dimensions



Wiring diagrams

Slow action



1NO + 1NC
make before break

Certifications and compliance

Compliance

CSA C22.2 n° 14

EN 50047

IEC/EN 60204-1

IEC/EN 60947-1

IEC/EN 60947-5-1

UL508

Certificates

CCC

cULus

EAC

ETIM classification

ETIM 8.0

EC000030 - End
switch