



Product designation

Wobble stick,  
omnidirectional

Product type designation

KBM

**General characteristics**

Material

Housing  
Rod

Polymer  
thermoplastic  
Flexible

**Contact characteristics**

Type of contact			3NC Slow action
Thermal current I <sub>th</sub>		A	10
IEC/EN 60947-5-1 designation			A600 Q600
Rated insulation voltage U <sub>i</sub>		V	690
Rated impulse withstand voltage U <sub>imp</sub>		kV	6
Insulation class			II
Short-circuit protection with fuse		Class/A	10 gG/SC QUICK FUSE
Switching speed	min	m/s	0.5
	max	m/s	1.5
IEC Conventional free air thermal current I <sub>th</sub>		A	10
Resistance per pole (average value)		mΩ	<10

**Mechanical features**

Operating head fixing				Locking bayonet insert
Operating torque		Ncm	1	
		ozin	1.42	
Tightening torque (Max)	Switch fixing	Nm	2.5	
		lbin	22.1	
	Contact terminals	Nm	0.8	
		lbin	7	
	Body lid screw fixing	Nm	0.8	
		lbin	7	
Conductor section	AWG/Kcmil	min	16	
		max	14	
	IEC	min	mm <sup>2</sup>	1or 2
		max	mm <sup>2</sup>	2.5

Cable connection	Self-releasing screw terminal
------------------	-------------------------------

Cable entry	M20 on the bottom
-------------	-------------------

**Operations**

Mechanical life	cycles	<10000000
Mechanical operation	cycles/h	3600

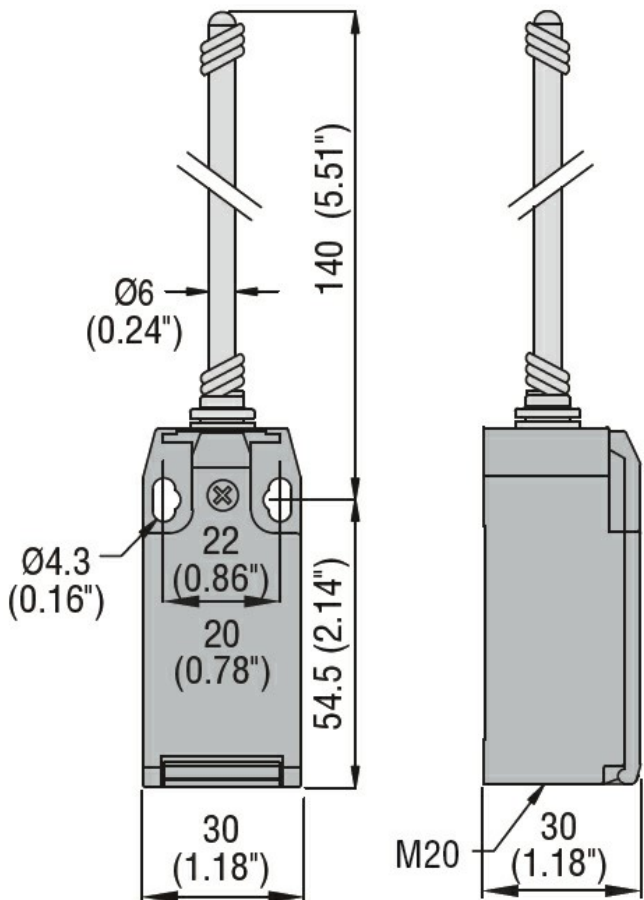
**Ambient conditions**

Temperature	Operating temperature	min	°C	-25
		max	°C	+70
	Storage temperature	min	°C	-40
		max	°C	+70

**Resistance & Protection**

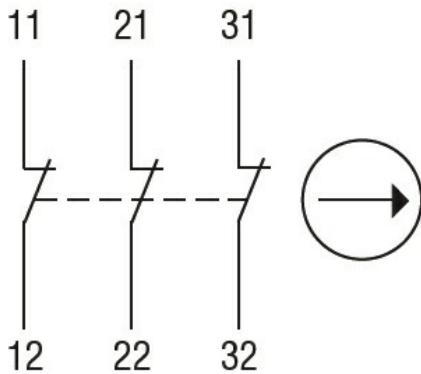
IP degree	Terminals	IP20
	Body housing	IP65
Pollution degree		3

**Dimensions**



**Wiring diagrams**

## Slow action



## 3NC

### Certifications and compliance

#### Compliance

CSA C22.2 n° 14

EN 50047

IEC/EN 60204-1

IEC/EN 60947-1

IEC/EN 60947-5-1

UL508

#### Certificates

CCC

cULus

EAC

### ETIM classification

ETIM 8.0

EC000030 - End  
switch