



Product designation

Adjustable rod
lever

Product type designation

KBL

General characteristics

Material

Housing

Polymer
thermoplastic
Aluminium-zinc
alloy

Rod

Contact characteristics

Type of contact			2NC Snap action
Thermal current I _{th}		A	10
IEC/EN 60947-5-1 designation			A600 Q600
Rated insulation voltage U _i		V	690
Rated impulse withstand voltage U _{imp}		kV	6
Insulation class			II
Short-circuit protection with fuse		Class/A	10 gG/SC QUICK FUSE
Switching speed		min	m/s 0.5
		max	m/s 1.5
IEC Conventional free air thermal current I _{th}		A	10
Resistance per pole (average value)		mΩ	<10

Mechanical features

Operating head fixing			Locking bayonet insert
Operating torque		Ncm	3
		ozin	4.25
Tightening torque (Max)			
Switch fixing		Nm	2.5
		lbin	22.1
Contact terminals		Nm	0.8
		lbin	7
Body lid screw fixing		Nm	0.8
		lbin	7
Conductor section			
AWG/Kcmil		min	16
		max	14
IEC		min	mm ² 1or 2
		max	mm ² 2.5

Cable connection	Self-releasing screw terminal
------------------	-------------------------------

Cable entry	M20 on the bottom
-------------	-------------------

Operations

Mechanical life	cycles	<10000000
Mechanical operation	cycles/h	3600

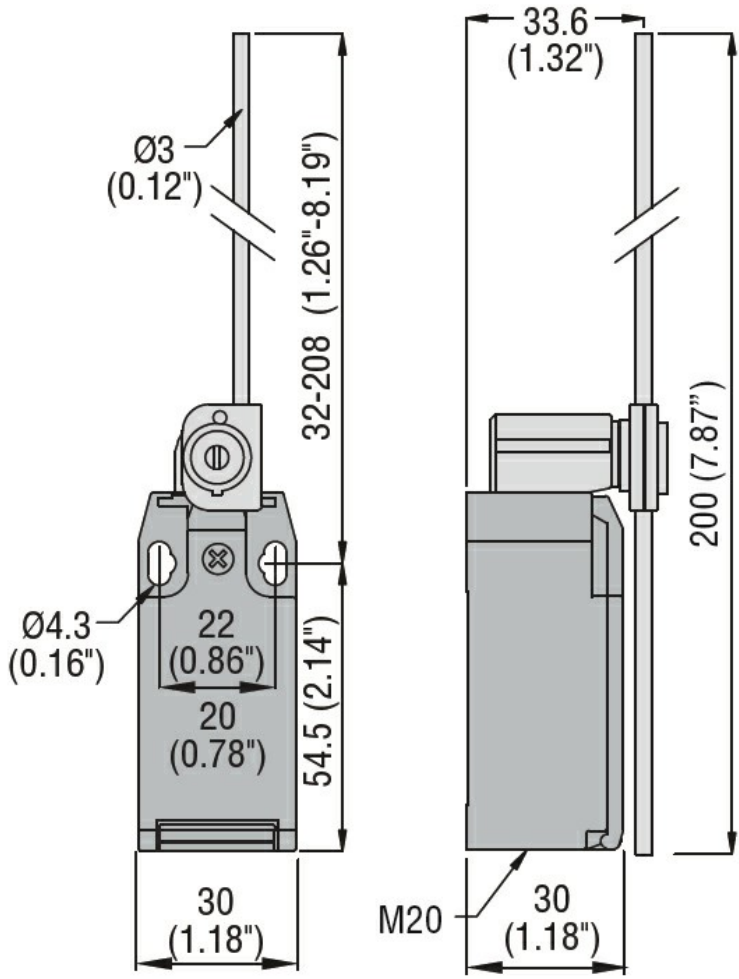
Ambient conditions

Temperature	Operating temperature	min	°C	-25
		max	°C	+70
	Storage temperature	min	°C	-40
		max	°C	+70

Resistance & Protection

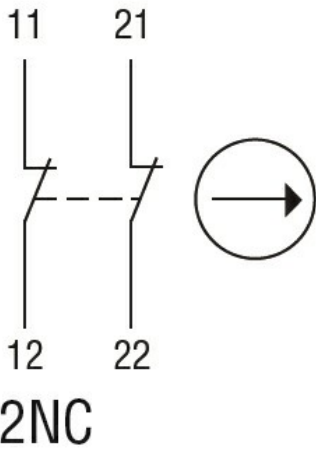
IP degree	Terminals	IP20
	Body housing	IP65
Pollution degree		3

Dimensions



Wiring diagrams

Snap action



Certifications and compliance

Compliance

CSA C22.2 n° 14
EN 50047
IEC/EN 60204-1
IEC/EN 60947-1
IEC/EN 60947-5-1
UL508

Certificates

CCC
cULus
EAC

ETIM classification

ETIM 8.0

EC000030 - End
switch