



Product designation	Adjustable rod lever			
Product type designation	KBL			
General characteristics				
Material	Housing	Polymer thermoplastic		
	Rod	Aluminium-zinc alloy		
Contact characteristics				
Type of contact	2NO+1NC Slow action			
Thermal current I _{th}	A	10		
IEC/EN 60947-5-1 designation	A600 Q600			
Rated insulation voltage U _i	V	690		
Rated impulse withstand voltage U _{imp}	kV	6		
Insulation class	II			
Short-circuit protection with fuse	Class/A	10 gG/SC QUICK FUSE		
Switching speed	min	m/s	0.5	
	max	m/s	1.5	
IEC Conventional free air thermal current I _{th}	A	10		
Resistance per pole (average value)	mΩ	<10		
Mechanical features				
Operating head fixing	Locking bayonet insert			
Operating torque	Ncm	3		
	ozin	4.25		
Tightening torque (Max)	Switch fixing	Nm	2.5	
		lbin	22.1	
Contact terminals	Nm	0.8		
	lbin	7		
Body lid screw fixing	Nm	0.8		
	lbin	7		
Conductor section	AWG/Kcmil	min	16	
		max	14	
	IEC	min	mm ²	1 or 2

	max	mm ²	2.5
Cable connection			Self-releasing screw terminal
Cable entry			M20 on the bottom

Operations

Mechanical life	cycles	<10000000
Mechanical operation	cycles/h	3600

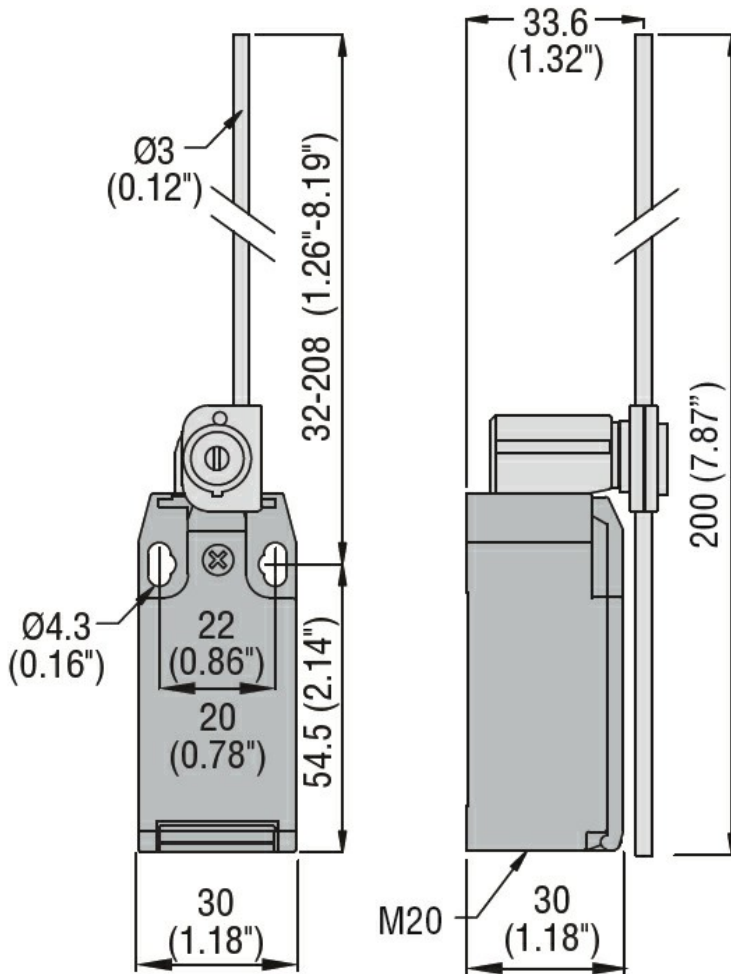
Ambient conditions

Temperature	Operating temperature	min	°C	-25
		max	°C	+70
	Storage temperature	min	°C	-40
		max	°C	+70

Resistance & Protection

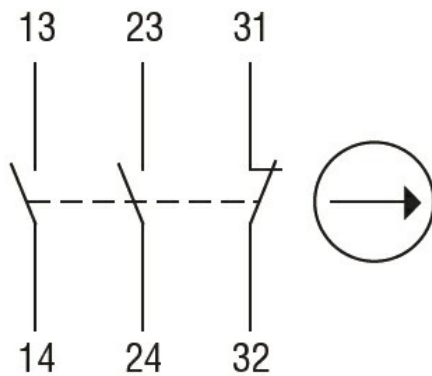
IP degree	Terminals	IP20
	Body housing	IP65
Pollution degree		3

Dimensions



Wiring diagrams

Slow action



2NO + 1NC

Certifications and compliance

Compliance

CSA C22.2 n° 14

EN 50047

IEC/EN 60204-1

IEC/EN 60947-1

IEC/EN 60947-5-1

UL508

Certificates

CCC

cULus

EAC

ETIM classification

ETIM 8.0

EC000030 - End
switch