



Product designation

Adjustable roller
lever

Product type designation

KBF

General characteristics

Material

Housing
Roller

Polymer
thermoplastic
Rubber

Contact characteristics

Type of contact		2NC Slow action
Thermal current I _{th}	A	10
IEC/EN 60947-5-1 designation		A600 Q600
Rated insulation voltage U _i	V	690
Rated impulse withstand voltage U _{imp}	kV	6
Insulation class		II
Short-circuit protection with fuse	Class/A	10 gG/SC QUICK FUSE
Switching speed	min max	m/s 0.5 1.5
IEC Conventional free air thermal current I _{th}	A	10
Resistance per pole (average value)	mΩ	<10

Mechanical features

Operating head fixing

Locking bayonet
insert

Operating torque

Ncm
ozin 3
4.25

Tightening torque (Max)

Switch fixing

Nm
lbin 2.5
22.1

Contact terminals

Nm
lbin 0.8
7

Body lid screw fixing

Nm
lbin 0.8
7

Conductor section

AWG/Kcmil

min
max 16
14

IEC

min
max mm²
mm² 1or 2
2.5

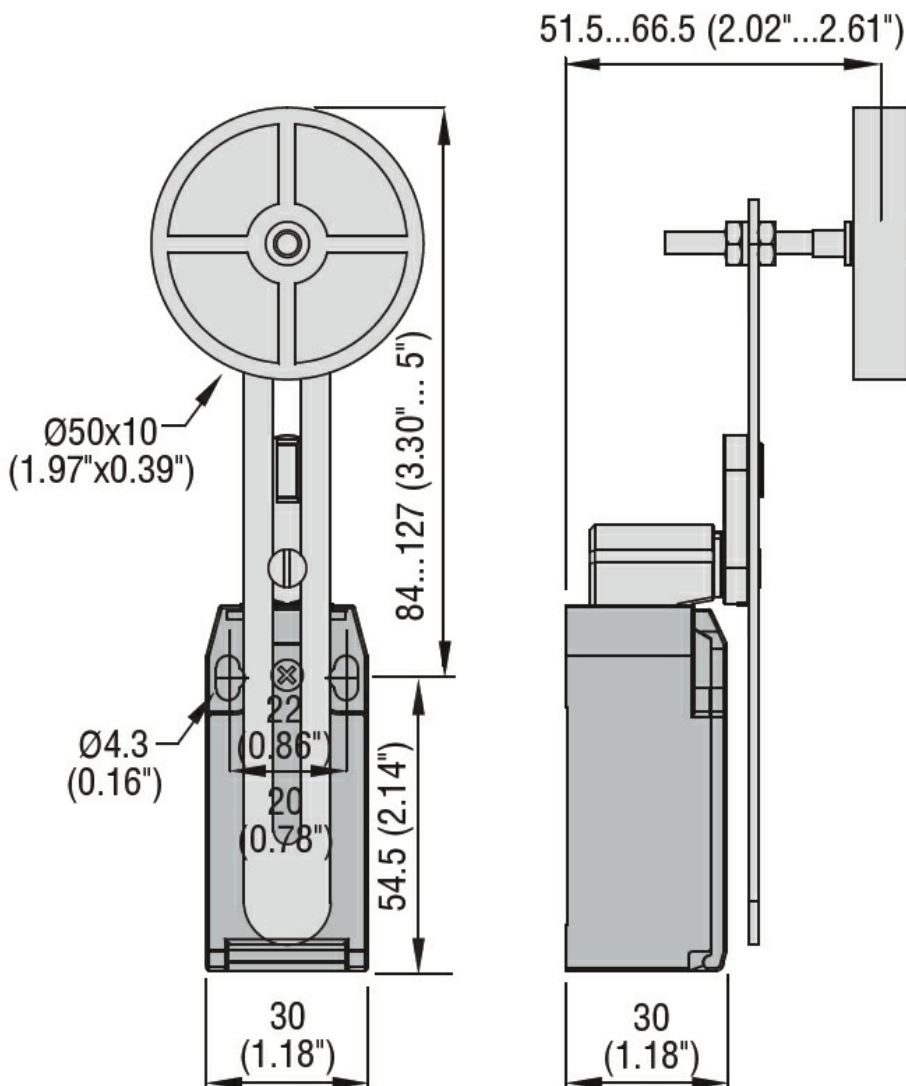
Cable connection	Self-releasing screw terminal
Cable entry	M20 on the bottom

Operations	
Mechanical life	cycles <10000000
Mechanical operation	cycles/h 3600

Ambient conditions	
Temperature	
Operating temperature	
min	°C -25
max	°C +70
Storage temperature	
min	°C -40
max	°C +70

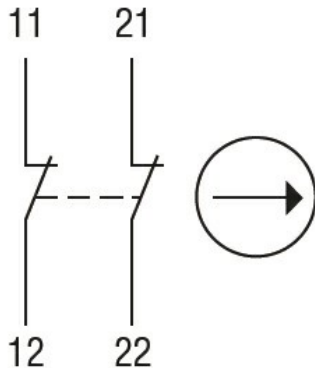
Resistance & Protection	
IP degree	
Terminals	IP20
Body housing	IP65
Pollution degree	3

Dimensions



Wiring diagrams

Slow action



2NC

Certifications and compliance

Compliance

CSA C22.2 n° 14

EN 50047

IEC/EN 60204-1

IEC/EN 60947-1

IEC/EN 60947-5-1

UL508

Certificates

CCC

cULus

EAC

ETIM classification

ETIM 8.0

EC000030 - End
switch