



Product designation

Adjustable roller
lever

Product type designation

KBF

General characteristics

Material

Housing
Roller

Polymer
thermoplastic
Rubber

Contact characteristics

Type of contact

1NO+1NC Slow
action make
before break

Thermal current I_{th}

A

10

IEC/EN 60947-5-1 designation

A600 Q600

Rated insulation voltage U_i

V

690

Rated impulse withstand voltage U_{imp}

kV

6

Insulation class

II

Short-circuit protection with fuse

Class/A

10 gG/SC
QUICK FUSE

Switching speed

min
max

m/s
m/s

0.5
1.5

IEC Conventional free air thermal current I_{th}

A

10

Resistance per pole (average value)

mΩ

<10

Mechanical features

Operating head fixing

Locking bayonet
insert

Operating torque

Ncm
ozin

3
4.25

Tightening torque (Max)

Switch fixing

Nm
lbin

2.5
22.1

Contact terminals

Nm
lbin

0.8
7

Body lid screw fixing

Nm
lbin

0.8
7

Conductor section

AWG/Kcmil

min
max

16
14

IEC

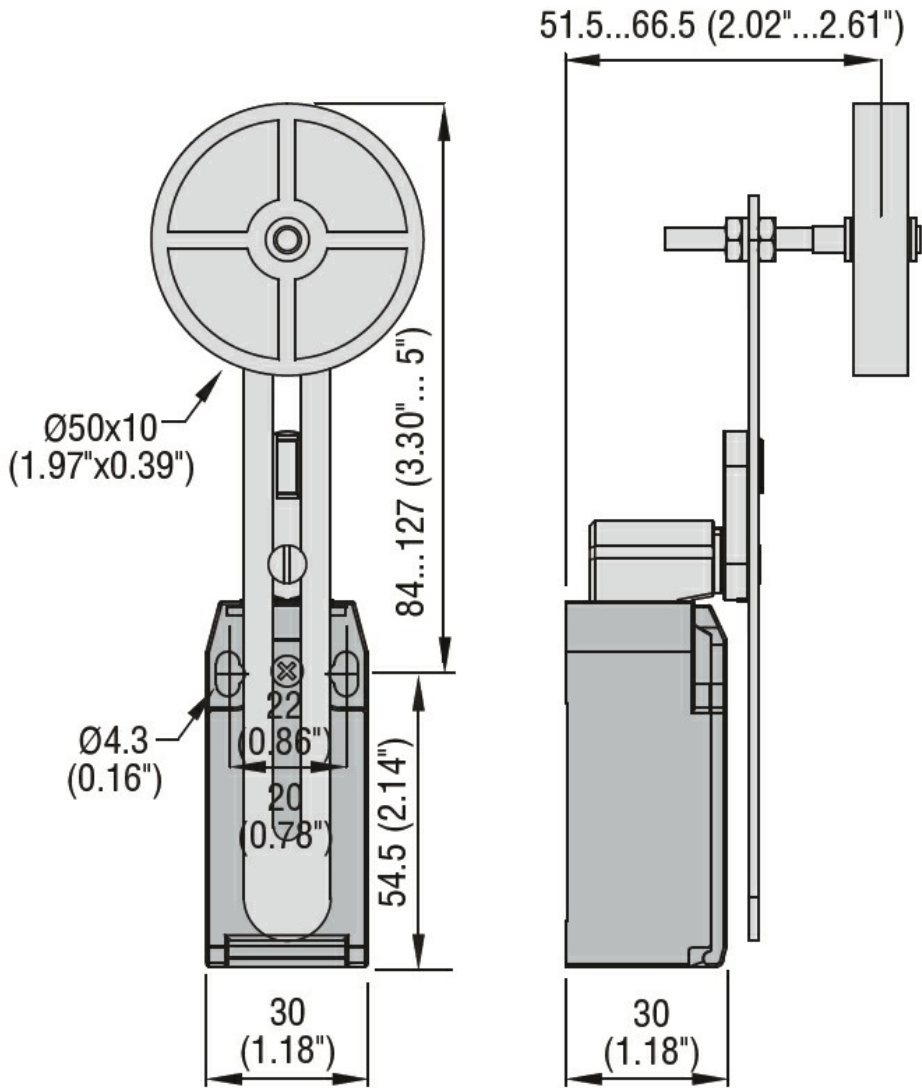
min

mm²

1 or 2

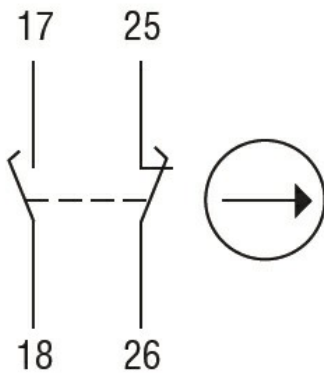
LIMIT SWITCH, K SERIES, ADJUSTABLE ROLLER LEVER, 1 BOTTOM CABLE ENTRY.
 DIMENSIONS TO EN 50047, PLASTIC BODY, CONTACTS 1NO+1NC SLOW ACTION MAKE
 BEFORE BREAK. RUBBER ROLLER WITH OFFSET ALIGNMENT

		max	mm ²	2.5
Cable connection				Self-releasing screw terminal
Cable entry				M20 on the bottom
Operations				
Mechanical life			cycles	<10000000
Mechanical operation			cycles/h	3600
Ambient conditions				
Temperature	Operating temperature	min	°C	-25
		max	°C	+70
	Storage temperature	min	°C	-40
		max	°C	+70
Resistance & Protection				
IP degree		Terminals		IP20
		Body housing		IP65
Pollution degree				3
Dimensions				



Wiring diagrams

Slow action



1NO + 1NC
make before break

Certifications and compliance

Compliance

LIMIT SWITCH, K SERIES, ADJUSTABLE ROLLER LEVER, 1 BOTTOM CABLE ENTRY.
DIMENSIONS TO EN 50047, PLASTIC BODY, CONTACTS 1NO+1NC SLOW ACTION MAKE
BEFORE BREAK. RUBBER ROLLER WITH OFFSET ALIGNMENT

CSA C22.2 n° 14

EN 50047

IEC/EN 60204-1

IEC/EN 60947-1

IEC/EN 60947-5-1

UL508

Certificates

CCC

cULus

EAC

ETIM classification

ETIM 8.0

EC000030 - End
switch