



Product designation

Roller centre  
push lever

Product type designation

KBC

**General characteristics**

Material

Housing

Polymer  
thermoplastic  
Metal

Roller

**Contact characteristics**

Type of contact

1NO+2NC Slow  
action

Thermal current I<sub>th</sub>

A 10

IEC/EN 60947-5-1 designation

A600 Q600

Rated insulation voltage U<sub>i</sub>

V 690

Rated impulse withstand voltage U<sub>imp</sub>

kV 6

Insulation class

II

Short-circuit protection with fuse

Class/A 10 gG/SC  
QUICK FUSE

Switching speed

|     |     |     |
|-----|-----|-----|
| min | m/s | 0.5 |
| max | m/s | 1.5 |

IEC Conventional free air thermal current I<sub>th</sub>

A 10

Resistance per pole (average value)

mΩ <10

**Mechanical features**

Operating head fixing

Locking bayonet  
insert

Operating torque

|    |      |
|----|------|
| N  | 6    |
| lb | 1.34 |

Tightening torque (Max)

Switch fixing

|      |      |
|------|------|
| Nm   | 2.5  |
| lbin | 22.1 |

Contact terminals

|      |     |
|------|-----|
| Nm   | 0.8 |
| lbin | 7   |

Body lid screw fixing

|      |     |
|------|-----|
| Nm   | 0.8 |
| lbin | 7   |

Conductor section

AWG/Kcmil

|     |    |
|-----|----|
| min | 16 |
| max | 14 |

IEC

|     |                 |       |
|-----|-----------------|-------|
| min | mm <sup>2</sup> | 1or 2 |
| max | mm <sup>2</sup> | 2.5   |

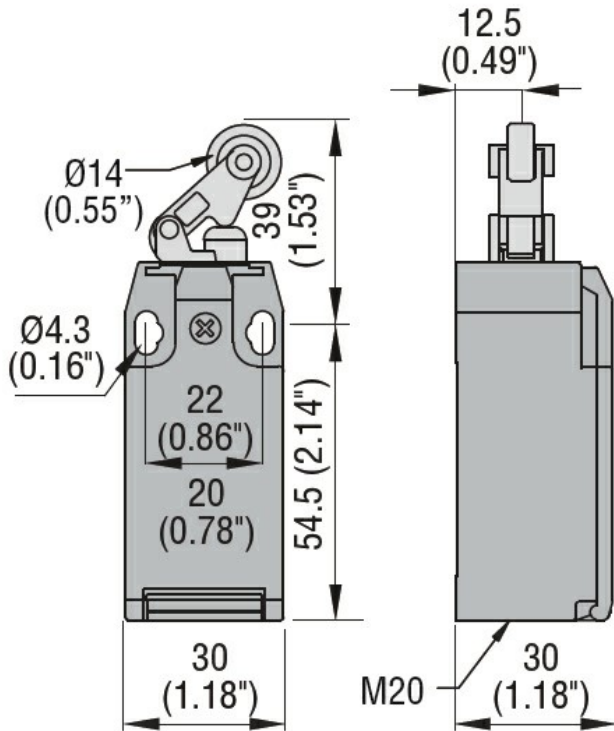
|                  |                               |
|------------------|-------------------------------|
| Cable connection | Self-releasing screw terminal |
| Cable entry      | M20 on the bottom             |

|                      |          |      |          |
|----------------------|----------|------|----------|
| <b>Operations</b>    |          |      |          |
| Mechanical life      | cycles   | <    | 10000000 |
| Mechanical operation | cycles/h | 3600 |          |

|                           |     |    |     |
|---------------------------|-----|----|-----|
| <b>Ambient conditions</b> |     |    |     |
| Temperature               |     |    |     |
| Operating temperature     |     |    |     |
|                           | min | °C | -25 |
|                           | max | °C | +70 |
| Storage temperature       |     |    |     |
|                           | min | °C | -40 |
|                           | max | °C | +70 |

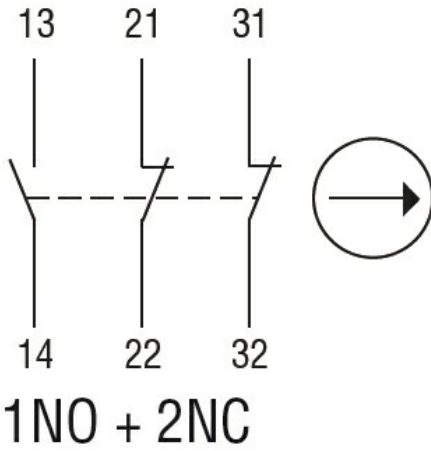
|                                    |              |      |  |
|------------------------------------|--------------|------|--|
| <b>Resistance &amp; Protection</b> |              |      |  |
| IP degree                          |              |      |  |
|                                    | Terminals    | IP20 |  |
|                                    | Body housing | IP65 |  |
| Pollution degree                   |              |      |  |
|                                    |              | 3    |  |

**Dimensions**



**Wiring diagrams**

## Slow action



### Certifications and compliance

#### Compliance

CSA C22.2 n° 14

EN 50047

IEC/EN 60204-1

IEC/EN 60947-1

IEC/EN 60947-5-1

UL508

#### Certificates

CCC

cULus

EAC

### ETIM classification

ETIM 8.0

EC000030 - End  
switch