



Product designation

Roller centre
push lever

Product type designation

KBC

General characteristics

Material

Housing
Roller

Polymer
thermoplastic
Plastic

Contact characteristics

Type of contact

1NO+2NC Slow
action

Thermal current I_{th}

A 10

IEC/EN 60947-5-1 designation

A600 Q600

Rated insulation voltage U_i

V 690

Rated impulse withstand voltage U_{imp}

kV 6

Insulation class

II

Short-circuit protection with fuse

Class/A 10 gG/SC
QUICK FUSE

Switching speed

| | | |
|-----|-----|-----|
| min | m/s | 0.5 |
| max | m/s | 1.5 |

IEC Conventional free air thermal current I_{th}

A 10

Resistance per pole (average value)

mΩ <10

Mechanical features

Operating head fixing

Locking bayonet
insert

Operating torque

| | |
|----|------|
| N | 6 |
| lb | 1.34 |

Tightening torque (Max)

Switch fixing

| | |
|------|------|
| Nm | 2.5 |
| lbin | 22.1 |

Contact terminals

| | |
|------|-----|
| Nm | 0.8 |
| lbin | 7 |

Body lid screw fixing

| | |
|------|-----|
| Nm | 0.8 |
| lbin | 7 |

Conductor section

AWG/Kcmil

| | |
|-----|----|
| min | 16 |
| max | 14 |

IEC

| | | |
|-----|-----------------|-------|
| min | mm ² | 1or 2 |
| max | mm ² | 2.5 |

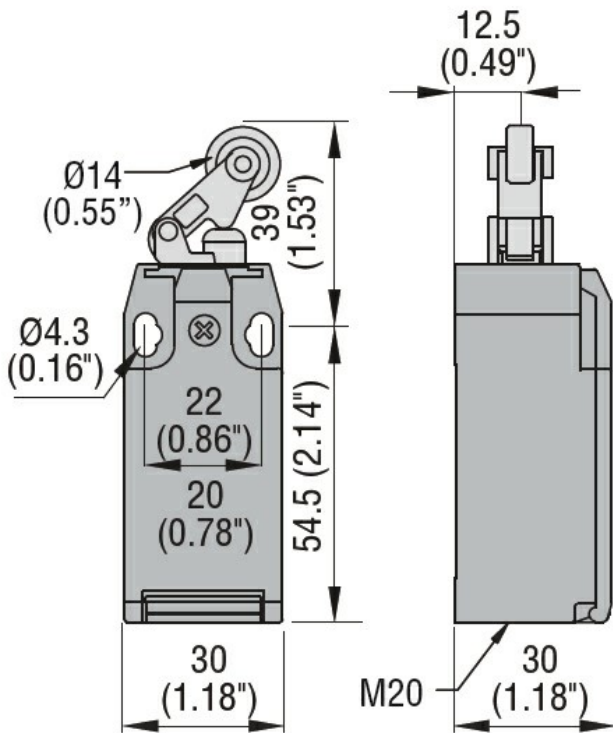
| | |
|------------------|-------------------------------|
| Cable connection | Self-releasing screw terminal |
| Cable entry | M20 on the bottom |

| | |
|----------------------|------------------|
| Operations | |
| Mechanical life | cycles <10000000 |
| Mechanical operation | cycles/h 3600 |

| | |
|---------------------------|--------|
| Ambient conditions | |
| Temperature | |
| Operating temperature | |
| min | °C -25 |
| max | °C +70 |
| Storage temperature | |
| min | °C -40 |
| max | °C +70 |

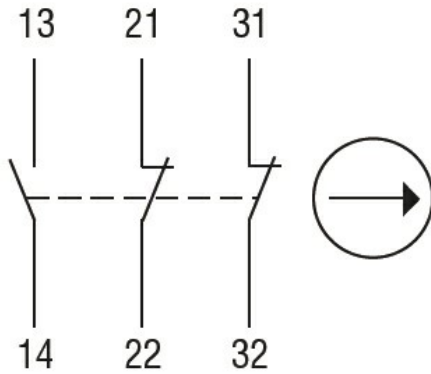
| | |
|------------------------------------|------|
| Resistance & Protection | |
| IP degree | IP20 |
| Terminals | IP65 |
| Body housing | IP65 |
| Pollution degree | 3 |

Dimensions



Wiring diagrams

Slow action



1NO + 2NC

Certifications and compliance

Compliance

CSA C22.2 n° 14

EN 50047

IEC/EN 60204-1

IEC/EN 60947-1

IEC/EN 60947-5-1

UL508

Certificates

CCC

cULus

EAC

ETIM classification

ETIM 8.0

EC000030 - End
switch