



Start-up priority change relay.  
Modular version  
LVMP30  
Priority change for 3-4 motors

Product designation

Product type designation

Function

### Auxiliary supply

Supply voltage Type	Multi voltage		
Rated auxiliary supply voltage $U_s$			
AC	min	VAC	20,4
	Max	VAC	28,8
Operating voltage range	20.4...28.8VAC		
Rated frequency		Hz	50/60
Operational frequency	min	Hz	47
	max	Hz	63
Power dissipation Max		W	7.5

### Relay outputs

Number of relays	Nr.	4
Relay state	Normally de-energised, energises at tripping	
Contact arrangement	4 NO	
Rated operational voltage AC (IEC)	VAC	250
Maximum switching voltage	VAC	265
IEC Conventional free air thermal current $I_{th}$	A	8
Electrical life (with rated load)	cycles	$10^5$

### Indications

Indication	Display for monitoring motor status, number of starts and working hours
------------	---

### Functions

3 detecting electrodes (MIN, MAX and COM)	No
5 detecting electrodes (MIN1, MAX1, MIN2, MAX2 and COM)	No
Sensitivity adjustment 2.5...50k $\Omega$	No
Sensitivity adjustment 2.5...100k $\Omega$	No
Sensitivity adjustment 2.5...200k $\Omega$	No
Adjustable sensitivity full-scale value 25-50-100-200 k $\Omega$	No
Separate sensitivity adjustment for MAX probe (foam detection)	No
Emptying function	No
Filling function	No
Emptying function with MIN and/or MAX alarm	No

Filling function with MIN and/or MAX alarm	No
Emptying function with pump priority change	No
Filling function with pump priority change	No
Tank filling, well drawing and alarm	No
Filling-emptying adjustment selector	No
Programming selector for 5 different	No
Motor start-up priority change	Yes

### Connections

Terminals type	Screw
Tightening torque for terminals	

max	Nm	0.6
max	Ibin	5.3

### Conductor cross section

AWG/Kcmil

min	AWG	26
Max	AWG	14

IEC

min	mm <sup>2</sup>	0.14
Max	mm <sup>2</sup>	2.5

### Ambient conditions

#### Temperature

Operating temperature

min	°C	-20
max	°C	+55

Storage temperature

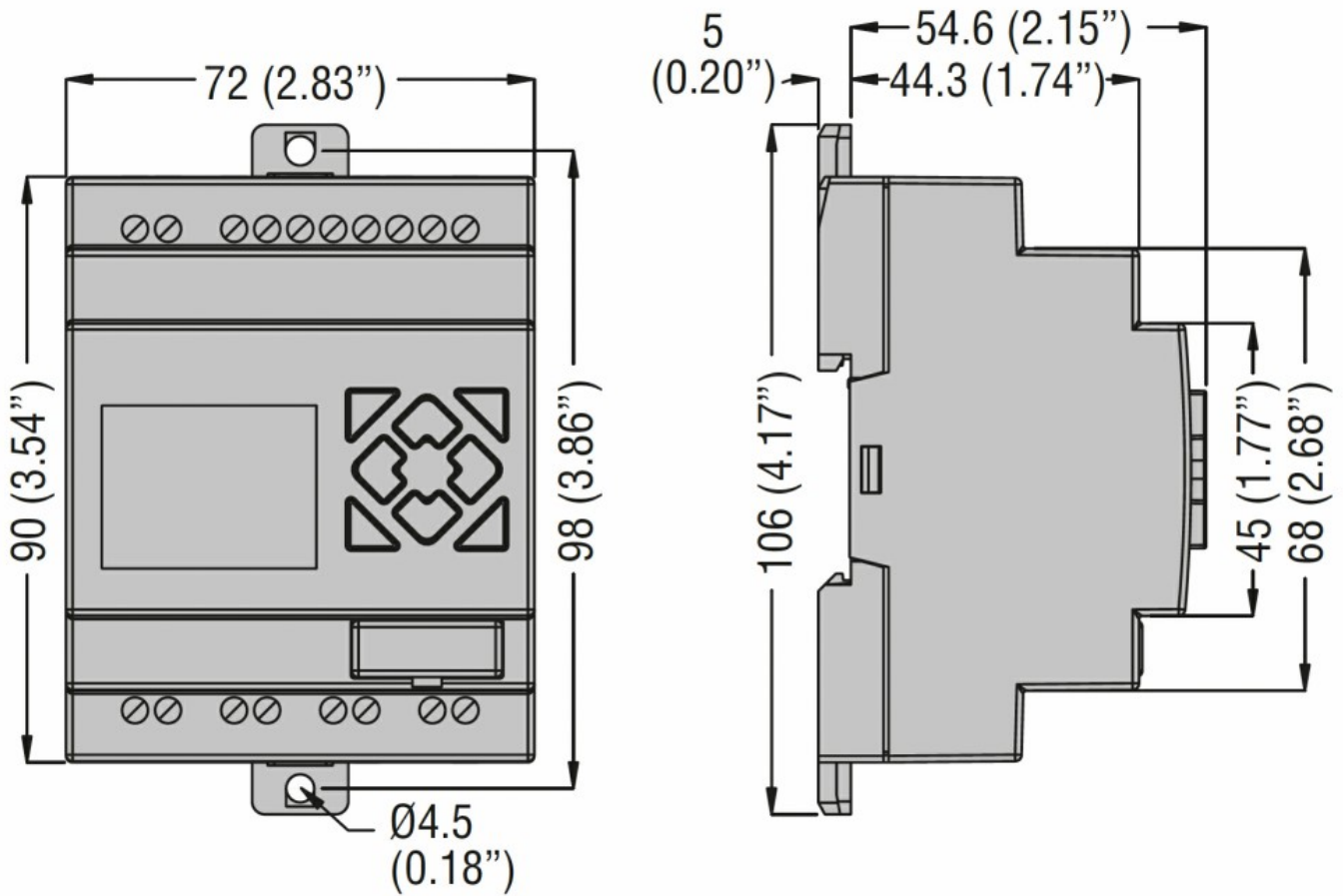
min	°C	-40
max	°C	+70

Relative humidity	%	20...90
-------------------	---	---------

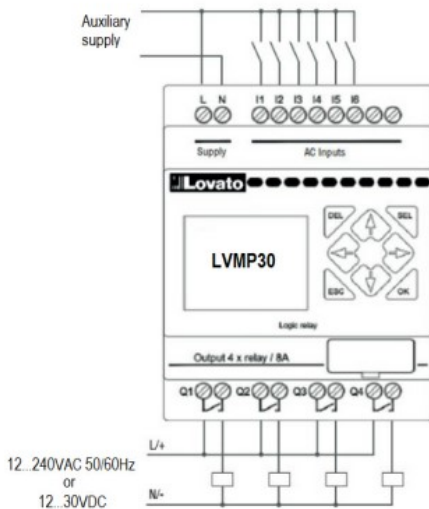
### Housing

Execution	Modular DIN rail mounting
N° of modules	4
Material	Polyamide
Mounting	35mm DIN rail (IEC/EN 60715) or by screws using extractable clips
IEC degree of protection	IP20
Dimensions (W x H x D)	mm 72 x 106 x 59.6
Weight	g 250

### Dimensions



## Wiring diagrams



Terminals / Morsetti	Description	Descrizione
L-N	Auxiliary supply: LVMP30A024: 24VAC 50/60Hz LVMP30A240: 100...240VAC 50/60Hz	Alimentazione ausiliaria: LVMP30A024: 24VAC 50/60Hz LVMP30A240: 100...240VAC 50/60Hz
I1	Minimum level (enable)	Livello minimo (abilitazione)
I2	Start pump 1 input	Ingresso start pompa 1
I3	Start pump 2 input	Ingresso start pompa 2
I4	Start pump 3 input	Ingresso start pompa 3
I5	Start pump 4 input	Ingresso start pompa 4
I6	Latch enable	Abilitazione memoria
Q1	Pump 1 command output	Uscita comando pompa 1
Q2	Pump 2 command output	Uscita comando pompa 2
Q3	Pump 3 command output	Uscita comando pompa 3
Q4	Pump 4 command output	Uscita comando pompa 4

## Certifications and compliance

### Compliance

CSA C22.2 n°142  
IEC/EN/BS 61131-2  
UL508

### Certificates

cULus  
EAC

## ETIM classification

ETIM 8.0

EC001447 - (Fill)  
level monitoring  
relay