



Level control relay for emptying or filling function. Dual voltage. Modular version  
LVM30  
Emptying or filling

Product designation

Product type designation

Function

#### Auxiliary supply

Supply voltage Type		Dual voltage
Operating voltage range		0.85...1.1 Us
Rated frequency	Hz	50/60
Power consumption Max	VA	5.5
Power dissipation Max	W	2.8

#### Output characteristics

Number of connectable electrodes	Nr.	3
Type of electrode		Electrode and electrode holders: SN1 / SCM / CGL / PS31 / PS3S or similar
Electrode voltage		7.5 VAC
Sensitivity	kΩ	2.5...50 adjustable

#### Time delay

Tripping time	s	1
Resetting time	s	1
Probe tripping delay		OFF...10s

#### Relay outputs

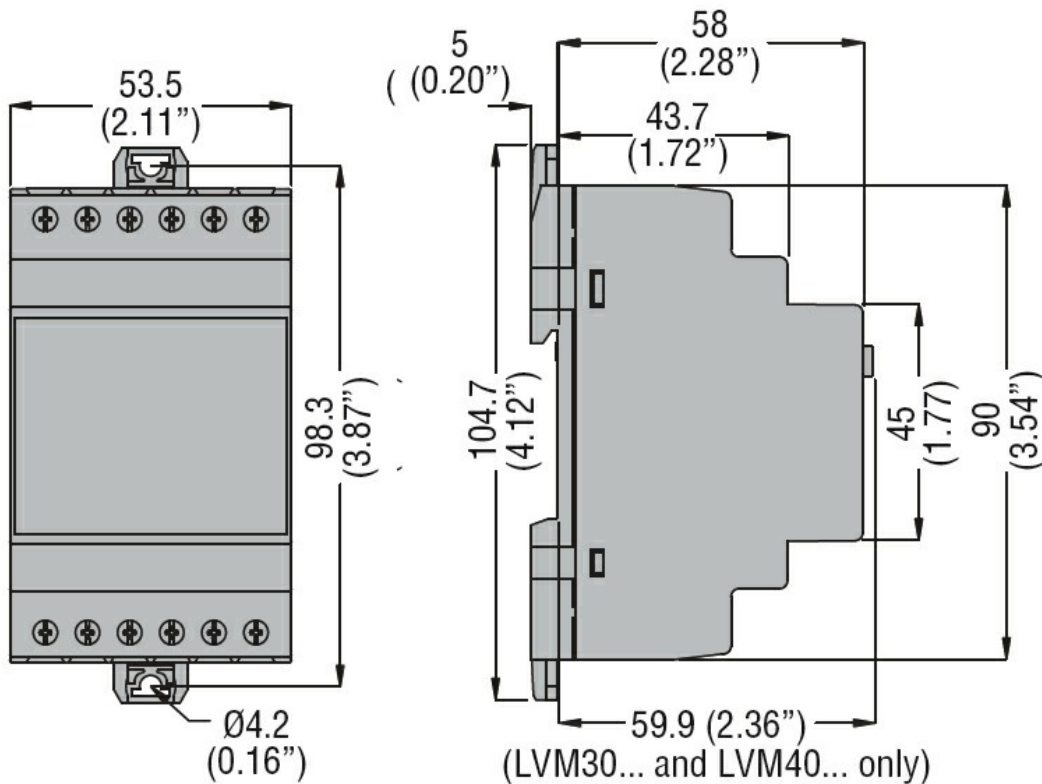
Number of relays	Nr.	2
Relay state		Normally de-energised, energises at tripping
Contact arrangement		2 changeover contacts C/O-SPDT each
Rated operational voltage AC (IEC)	VAC	250
Maximum switching voltage	VAC	400
IEC Conventional free air thermal current Ith	A	8
UL/CSA and IEC/EN 60947-5-1 designation		B300
Electrical life (with rated load)	cycles	10 <sup>5</sup>
Mechanical life	cycles	30x10 <sup>6</sup>

#### Indications

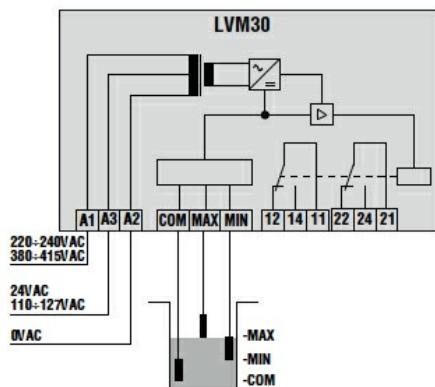
Indication				1 green LED for power on 1 red LED for relay state
<b>Functions</b>				
3 detecting electrodes (MIN, MAX and COM)				Yes
5 detecting electrodes (MIN1, MAX1, MIN2, MAX2 and COM)				No
Sensitivity adjustment 2.5...50k Ω				Yes
Sensitivity adjustment 2.5...100k Ω				No
Sensitivity adjustment 2.5...200k Ω				No
Adjustable sensitivity full-scale value 25-50-100-200 k Ω				No
Separate sensitivity adjustment for MAX probe (foam detection)				No
Emptying function				Yes
Filling function				Yes
Emptying function with MIN and/or MAX alarm				No
Filling function with MIN and/or MAX alarm				No
Emptying function with pump priority change				No
Filling function with pump priority change				No
Tank filling, well drawing and alarm				No
Filling-emptying adjustment selector				Yes
Programming selector for 5 different				No
Motor start-up priority change				No
<b>Connections</b>				
Terminals type				Screw
Tightening torque for terminals		max	Nm	0.8
		max	Ibin	7
Conductor cross section				
	AWG/Kcmil	min	AWG	24
		Max	AWG	12
	IEC	min	mm <sup>2</sup>	0.2
		Max	mm <sup>2</sup>	4
<b>Insulations</b>				
Rated insulation voltage Ui			V	415
Rated impulse withstand voltage Uimp			kV	6
Operating frequency withstand voltage			kV	4
Double insulation Supply / relay / electrode			VAC	≤250
<b>Ambient conditions</b>				
Temperature				
	Operating temperature	min	°C	-20
		max	°C	+60
	Storage temperature	min	°C	-30
		max	°C	+80
<b>Housing</b>				
Execution				Modular DIN rail mounting
N° of modules				3
Material				Self-extinguishing polyamide

Mounting	35mm DIN rail (IEC/EN 60715) or by screws using extractable clips	
IEC degree of protection	IP40 on front / IP20 on terminals	
Dimensions (W x H x D)	mm	53.5 x 104.7 x 64.9
Weight	g	315

**Dimensions**



**Wiring diagrams**



**Certifications and compliance**

**Compliance**

- CSA C22.2 n° 14
- IEC/EN 60255-5
- IEC/EN 61000-6-2
- IEC/EN 61000-6-3
- UL508

---

Certificates

cULus

---

EAC

ETIM classification

ETIM 8.0

EC001447 - (Fill)  
level monitoring  
relay