



Accessories for  
level control  
relays and  
probes  
**31S8**

Product designation

Product type designation

**Relay outputs**

Contact ratings

10A - 400VAC

**Connections**

Terminals type

Screw

Tightening torque for terminals

max	Nm	0.8
max	lbin	7.1

Conductor cross section

AWG/Kcmil

Max	AWG	2 x 14
-----	-----	--------

IEC

Max	mm <sup>2</sup>	2 x 2.5
-----	-----------------	---------

**Housing**

Mounting

on 35mm DIN rail  
or Plug-in  
housing

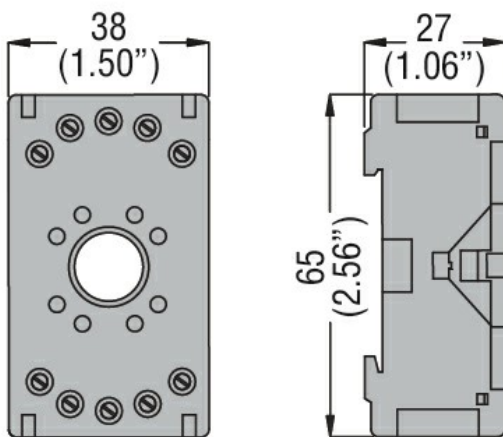
Dimensions (W x H x D)

mm	38 x 65 x 27
----	--------------

Weight

g	61
---	----

**Dimensions**



**Certifications and compliance**

Compliance

/

Certificates

EAC

**ETIM classification**

ETIM 8.0

EC001456 -  
Relay socket