



Product designation	Accessories for level control relays and probes
Product type designation	31RE213

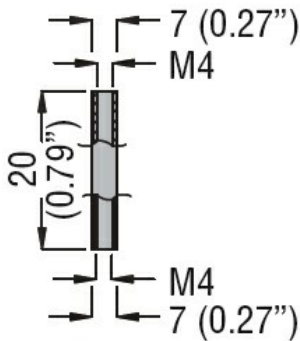
Connections

Conductor cross section	AWG/Kcmil	Max	AWG	2 x 14
	IEC	Max	mm ²	2 x 2.5

Housing

Dimensions (W x H x D)	mm	7 x 20 x 7
Weight	g	8

Dimensions



Certifications and compliance

Compliance	/
Certificates	EAC

ETIM classification

ETIM 8.0	EC002498 - Accessories/spare parts for low-voltage switch technology
----------	--