



Product designation Electrode holder  
Product type designation PS31

**Connections**

Terminals type Screw

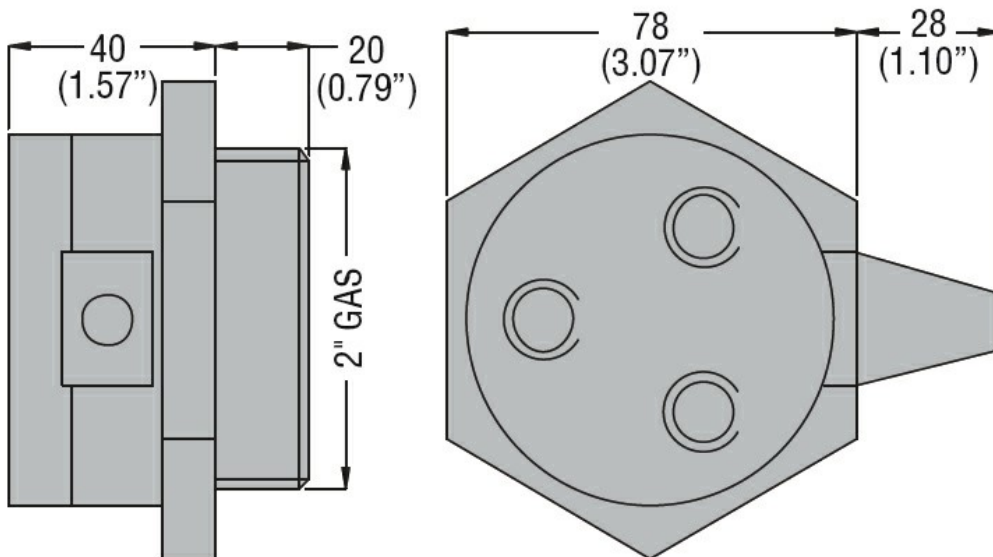
**Ambient conditions**

Temperature  
Operating temperature max °C +100

**Housing**

Weight g 184

**Dimensions**



**Certifications and compliance**

Compliance /

Certificates EAC

**ETIM classification**

ETIM 8.0 EC010106 - Liquid level sensor