



Product designation Electrode holder
 Product type designation PS3S

Connections

Terminals type Faston

Ambient conditions

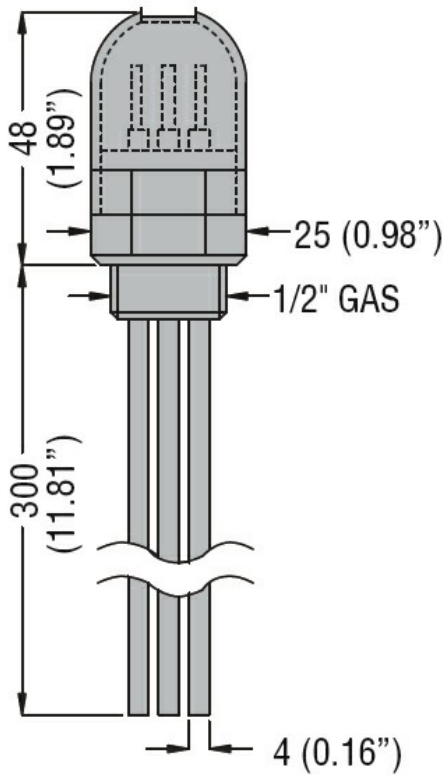
Temperature
 Operating temperature
 max °C +70

Maximum operating pressure bar 2

Housing

Weight g 120

Dimensions



Certifications and compliance

Compliance /

Certificates EAC

ETIM classification

ETIM 8.0 EC010106 - Liquid level sensor