



Level control relay for emptying function. Single voltage. Plug-in version
LV1E
Emptying

Product designation

Product type designation

Function

Auxiliary supply

Supply voltage Type

Single voltage

Rated auxiliary supply voltage U_s
AC

min	VAC	110
Max	VAC	120

Operating voltage range

0.85...1.1 U_s

Rated frequency

Hz 50/60

Power consumption Max

VA 5.5

Power dissipation Max

W 2.8

Output characteristics

Number of connectable electrodes

Nr. 3

Type of electrode

Electrode and electrode holders: SN1 / SCM / CGL / PS31 / PS3S or similar

Electrode voltage

9VAC (voltage between probes)

Sensitivity

k Ω 7...8 fixed

Time delay

Tripping time

s ≤ 0.05

Resetting time

s ≤ 0.1

Relay outputs

Number of relays

Nr. 1

Relay state

Normally de-energised, energises at tripping

Contact arrangement

1 changeover contact C/O-SPDT

Rated operational voltage AC (IEC)

VAC 220

Maximum switching voltage

VAC 380

IEC Conventional free air thermal current I_{th}

A 5

UL/CSA and IEC/EN 60947-5-1 designation

B300

Electrical life (with rated load)

cycles 2.5×10^5

Mechanical life

cycles 50×10^6

Indications

Indication	1 red LED for relay state
------------	---------------------------

Connections

Terminals type	plug-in
----------------	---------

Insulations

Rated insulation voltage U_i	V	415
Rated impulse withstand voltage U_{imp}	kV	5
Operating frequency withstand voltage	kV	2

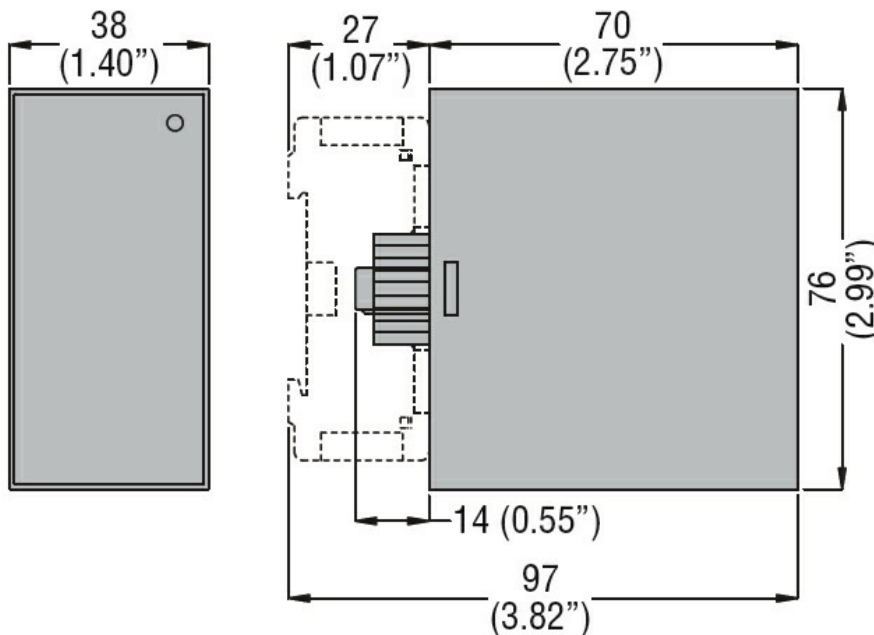
Ambient conditions

Temperature	Operating temperature	min	°C	-20
		max	°C	+60
	Storage temperature	min	°C	-30
		max	°C	+80

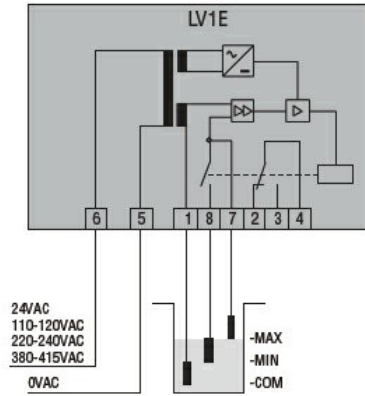
Housing

Execution	8-pin plug-in housing (socket S8)
Material	Self-extinguishing polycarbonate
Mounting	35mm DIN rail (IEC/EN 60715) or 8-pin plug-in housing
IEC degree of protection	IP30
Dimensions (W x H x D)	mm 38 x 76 x 70
Weight	g 263

Dimensions



Wiring diagrams



Certifications and compliance

Compliance

IEC/EN 60255-5

Certificates

EAC

ETIM classification

ETIM 8.0

EC001447 - (Fill)
level monitoring
relay