



Start-up priority change relay.
Possible starting of stand-by motor. Plug-in version
CSP2E
Start-up priority change relay.
Possible starting of stand-by motor

Product designation

Product type designation

Function

Auxiliary supply

Supply voltage Type	Single voltage		
Rated auxiliary supply voltage U_s			
AC	min	VAC	110
Operating voltage range	0.85...1.1 U_s		
Rated frequency		Hz	50/60
Power consumption Max		VA	5
Power dissipation Max		W	3

Relay outputs

Number of relays	Nr.	2
Relay state	Normally de-energised, energises at tripping	
Contact arrangement	2 x 1NO-SPST contact	
Rated operational voltage AC (IEC)	VAC	250
IEC Conventional free air thermal current I_{th}	A	5
UL/CSA and IEC/EN 60947-5-1 designation	B300	
Electrical life (with rated load)	cycles	10^5
Mechanical life	cycles	30×10^6

Indications

Indication	1 green LED for power on 1 red LED for relay state
------------	--

Connections

Terminals type	plug-in
----------------	---------

Insulations

Rated insulation voltage U_i	V	250
Rated impulse withstand voltage U_{imp}	kV	4
Operating frequency withstand voltage	kV	2.5

Ambient conditions

Temperature	Operating temperature
-------------	-----------------------

min	°C	-20
max	°C	+60

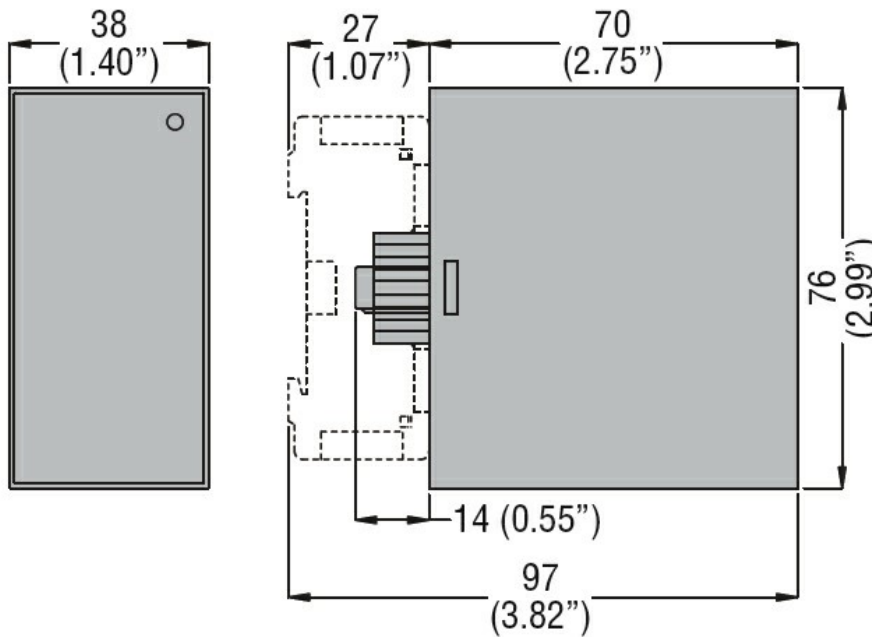
Storage temperature

min	°C	-30
max	°C	+80

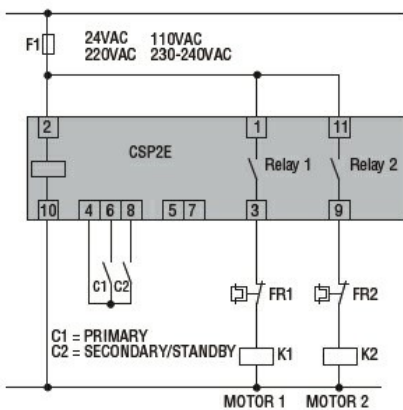
Housing

Execution	11-pin plug-in housing (socket S11)
Material	Self-extinguishing polycarbonate
Mounting	11-pin plug-in housing (socket S11)
IEC degree of protection	IP30
Dimensions (W x H x D)	mm 38 x 76 x 70
Weight	g 150

Dimensions



Wiring diagrams



Certifications and compliance

Compliance

IEC/EN 60255-5

Certificates

EAC

ETIM classification

ETIM 8.0

EC001447 - (Fill)
level monitoring
relay