



Product designation Probe
 Product type designation CGL125

Connections
 Terminals type Threaded rod with nut

Ambient conditions
 Temperature

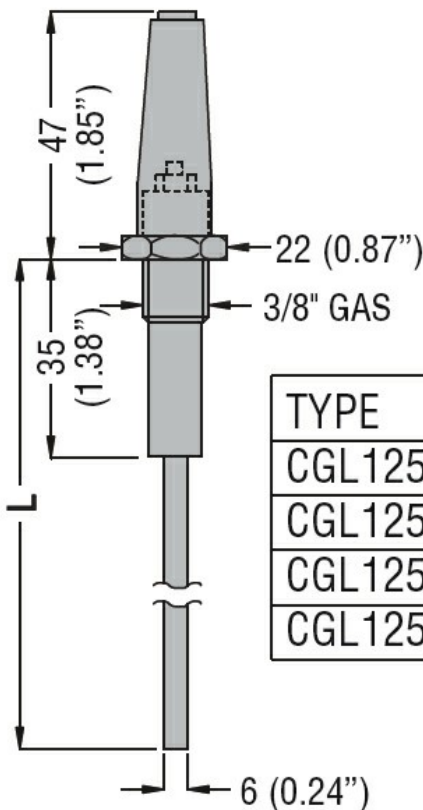
Operating temperature

max °C +180

Maximum operating pressure bar 10

Housing
 Weight g 208

Dimensions



TYPE	L
CGL125 3	327 (12.87")
CGL125 5	500 (19.68")
CGL125 7	700 (27.56")
CGL125 10	1000 (39.37")

Certifications and compliance
 Compliance /

Certificates EAC

ETIM classification
 ETIM 8.0 EC010106 - Liquid level sensor