



Product designation  
Product type designation

Probe  
CGL125

**Connections**

Terminals type

Threaded rod  
with nut

**Ambient conditions**

Temperature

Operating temperature

max °C +180

Maximum operating pressure

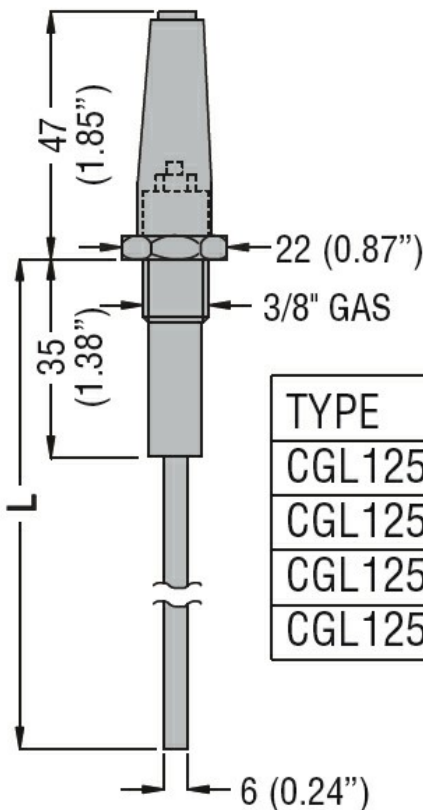
bar 10

**Housing**

Weight

g 158

**Dimensions**



TYPE	L
CGL125 3	327 (12.87")
CGL125 5	500 (19.68")
CGL125 7	700 (27.56")
CGL125 10	1000 (39.37")

**Certifications and compliance**

Compliance

/

Certificates

EAC

**ETIM classification**

ETIM 8.0

EC010106 -  
Liquid level  
sensor