



Product designation Probe
Product type designation SN1

Connections

Terminals type Screw
Conductor cross section

IEC

Max mm² 2.5

Ambient conditions

Temperature

Operating temperature

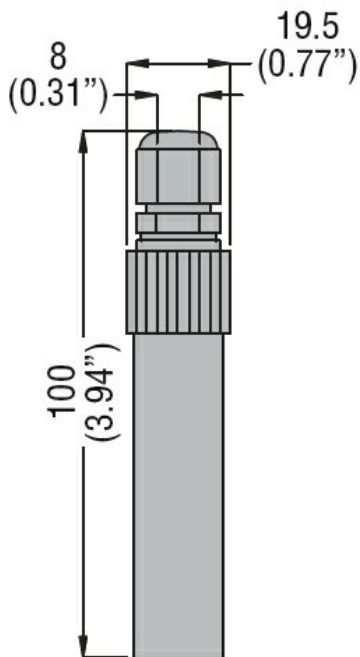
max °C +60

Housing

Weight

g 50

Dimensions



Certifications and compliance

Compliance

/

Certificates

EAC

ETIM classification

ETIM 8.0

EC001447 - (Fill)
level monitoring
relay