



Product designation

Product type designation

Assembled industrial relays  
HR604C

**Contact characteristics**

|  |    |            |         |
|--|----|------------|---------|
| Contact configuration                              |    |            | 4 C/O   |
| Rated insulation voltage $U_i$ IEC/EN              | V  |            | 500     |
| Rated impulse withstand voltage $U_{imp}$          | kV |            | 4       |
| IEC Conventional free air thermal current $I_{th}$ | A  |            | 5       |
| Rated current ( $I_n$ )                            | A  |            | 5       |
| Relay control voltage                              | V  |            | 230VAC  |
| Max contrrollable power in                         |    | AC-1       | W 5     |
| Rated operating power AC-1                         |    |            | VA 1250 |
| Rated operating power AC-15                        |    | 230 VAC    | VA 150  |
| Single-phase motor control                         |    | 230VAC     | kW 0.37 |
| Rated operating current DC-1                       |    | 30V        | A 8     |
|  |    | 110V       | A 0.3   |
|  |    | 220V       | A 0.1   |
| Minimum switching load                             |    | V / mA     | 5 / 100 |
| Contact impedance                                  |    | m $\Omega$ | 100     |
| Contact material                                   |    |            | Ag/Ni   |

**Operating times**

|         |    |     |
|---------|----|-----|
| Closing | ms | <25 |
| Opening | ms | <25 |

**Operations**

|                     |        |          |
|---------------------|--------|----------|
| Mechanical life     | cycles | 20000000 |
| Electrical life AC1 | cycles | 100000   |

**Coil characteristics**

|                                     |    |     |
|-------------------------------------|----|-----|
| Average coil consumption AC at 20°C | VA | 1.7 |
| Average coil consumption DC at 20°C | W  | 1.1 |
| Operating range                     |    |     |

|         |         |          |
|---------|---------|----------|
| Closing | % $U_n$ | 70...110 |
| Opening | % $U_n$ | 20...55  |

|                         |          |      |
|-------------------------|----------|------|
| Maximum cycle frequency | cycles/h | 3600 |
|-------------------------|----------|------|

**Mechanical features**

|   |    |             |
|---|----|-------------|
| Max socket terminal tightening torque             | Nm | 0.6         |
| Socket screw tightening tool (cross / flat blade) |    | PH1 / 4.5mm |

|                   |           |    |
|-------------------|-----------|----|
| Conductor section |           |    |
|                   | AWG/Kcmil |    |
|                   | min       | 20 |
|                   | max       | 14 |

IEC

|     |                 |     |
|-----|-----------------|-----|
| min | mm <sup>2</sup> | 0.5 |
| max | mm <sup>2</sup> | 2.5 |

Operating position

|        |     |
|--------|-----|
| normal | Any |
|--------|-----|

Fixing

On 35mm DIN rail and with screw

**Ambient conditions**

Temperature

Operating temperature

|     |    |     |
|-----|----|-----|
| min | °C | -40 |
| max | °C | +70 |

Storage temperature

|     |    |     |
|-----|----|-----|
| min | °C | -40 |
| max | °C | +80 |

**Other features**

Indication

Yes

Mechanical contact position indicator

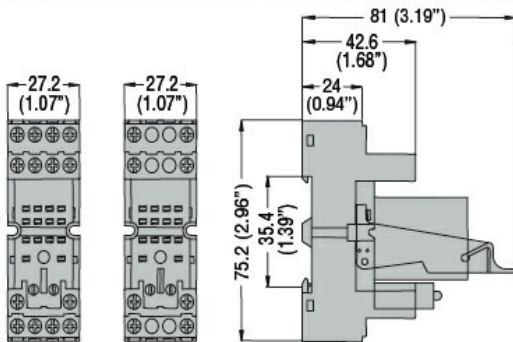
Yes

Mechanical test actuator

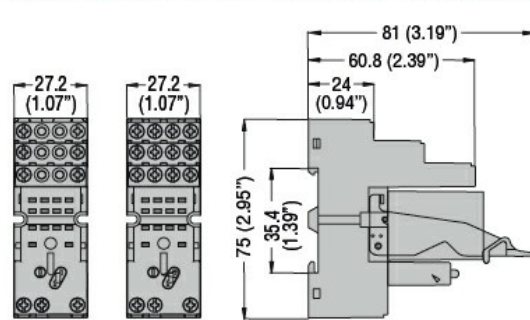
Yes

**Dimensions**

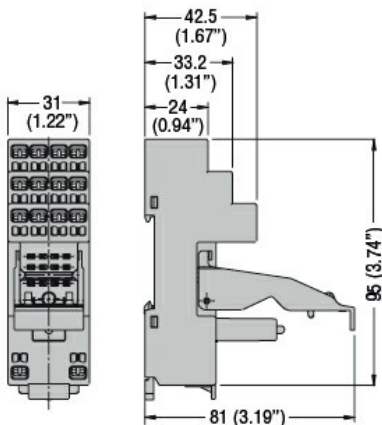
**HR60 2C... with socket HR6XS21 - HR6XS22**



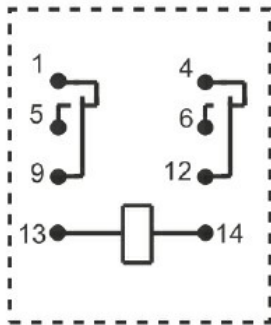
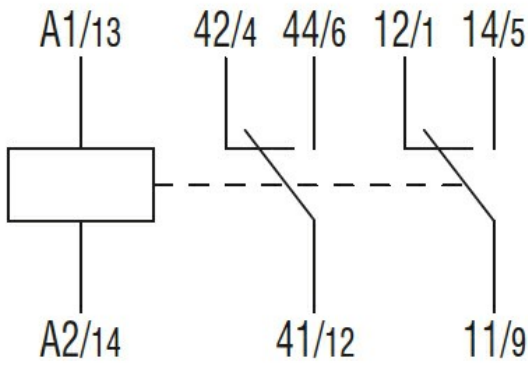
**HR60 4C... with socket HR6XS41 - HR6XS42**



**HR60 2C... - HR60 4C... with socket HR6XS21S - HR6XS41S**



**Wiring diagrams**



**Certifications and compliance**

Compliance

IEC/EN 61810

**ETIM classification**

ETIM 8.0

EC001437 -  
Switching relay