



Product designation	Assembled miniature relays		
Product type designation	HR502C		
<b>Contact characteristics</b>			
Contact configuration	2 C/O		
Rated insulation voltage $U_i$ IEC/EN	V	250	
Rated impulse withstand voltage $U_{imp}$	kV	6	
IEC Conventional free air thermal current $I_{th}$	A	8	
Maximum instantaneous current	A	10	
Rated current ( $I_n$ )	A	8	
Relay control voltage	V	230VAC	
Max contrrollable power in		AC-1	W 2000
		AC-15	VA 150
Rated operating power AC-1		VA	2000
Rated operating power AC-15	230 VAC	VA	150
Rated operating current DC-1		30V	A 8
		110V	A 0.3
		220V	A 0.1
Minimum switching load		V / mA	5 / 100
Contact impedance		m $\Omega$	100
Contact material		Ag/Ni	
<b>Operating times</b>			
Closing		ms	<15
Opening		ms	<15
<b>Operations</b>			
Mechanical life		cycles	10000000
Electrical life AC1		cycles	50000
<b>Coil characteristics</b>			
Average coil consumption AC at 20°C		VA	1
Average coil consumption DC at 20°C		W	0.4
Operating range		Closing	% $U_n$ 70...110
		Opening	% $U_n$ 20...55
Maximum cycle frequency		cycles/h	3600
<b>Mechanical features</b>			
Max socket terminal tightening torque		Nm	0.6
Socket screw tightening tool (cross / flat blade)		PH1 / 4.5mm	
Conductor section	AWG/Kcmil		
		min	20
		max	14

IEC		min	mm <sup>2</sup>	0.5
		max	mm <sup>2</sup>	2.5
Operating position		normal		Any
Fixing		On 35mm DIN rail and with screw		

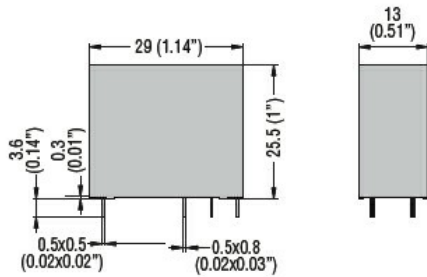
**Ambient conditions**

Temperature		Operating temperature		
		min	°C	-40
		max	°C	+70
		Storage temperature		
		min	°C	-40
		max	°C	+85

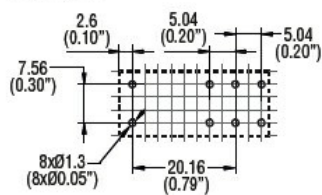
**Other features**

Indication	Yes
Mechanical contact position indicator	Yes
Mechanical test actuator	Yes

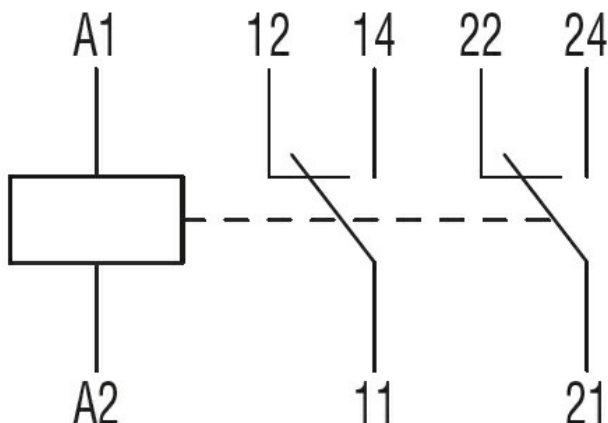
**Dimensions**



PCB layout



**Wiring diagrams**



**Certifications and compliance**

Compliance

IEC/EN 61810

ETIM classification

ETIM 8.0

EC001437 -  
Switching relay