



Product designation	SLIM		
Product type designation	RELAY+SOCKET		
	HRA101		
Contact characteristics			
Contact configuration	1 C/O		
Rated insulation voltage U_i IEC/EN	V	250	
Rated impulse withstand voltage U_{imp}	kV	4	
IEC Conventional free air thermal current I_{th}	A	6	
Maximum instantaneous current	A	20 (500ms)	
Rated current (I_n)	A	6	
Relay control voltage	V	24VAC/VDC	
UL/CSA and IEC/EN 60947-5-1 designation	B300 – R300		
UL rating	6A 277VAC; 6A 30VDC		
Max contrrollable power in			
	AC-1	W	1500
	AC-15	VA	360
Rated operating power AC-1		VA	1500
Rated operating power AC-15	230 VAC	VA	360
Single-phase motor control	230VAC	kW	0.186
Rated operating current DC-1	30V	A	6
	110V	A	0.2
	220V	A	0.12
Minimum switching load	V / mA	5 / 100	
Contact impedance	m Ω	100	
Contact material	Ag/Ni		
Operating times			
Closing	ms	≤ 8	
Opening	ms	≤ 4	
Operations			
Mechanical life	cycles	10000000	
Electrical life AC1	cycles	30000	
Coil characteristics			
Relay control voltage + socket	V	24VAC/DC	
Average coil consumption DC at 20°C	W	0.2	
Operating range			
	Closing	% U_n	≥ 75
	Opening	% U_n	≥ 5
Maximum cycle frequency	cycles/h	10000	
Mechanical features			
Max socket terminal tightening torque	Nm	0.5	

Socket screw tightening tool (cross / flat blade) PH0 / 3.5mm

Conductor section

AWG/Kcmil			
	min		20
	max		16

IEC			
	min	mm ²	0.5
	max	mm ²	1.5

Operating position normal Any

Fixing On 35mm DIN rail

Ambient conditions

Temperature

Operating temperature			
	min	°C	-40
	max	°C	+70

Storage temperature			
	min	°C	-40
	max	°C	+80

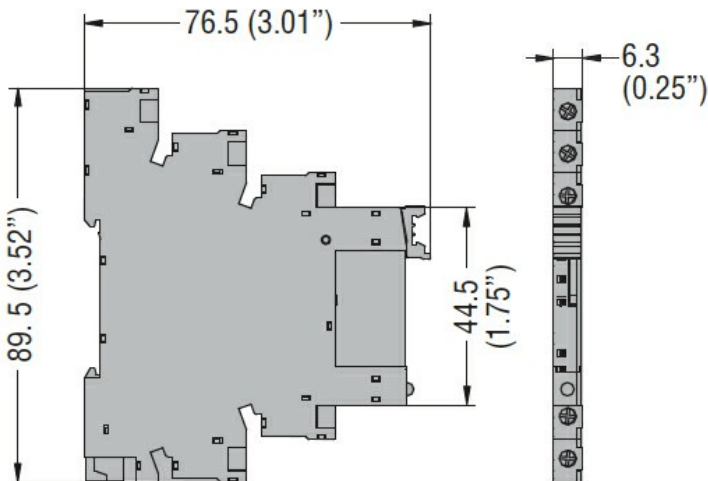
Other features

Indication Yes (on the socket)

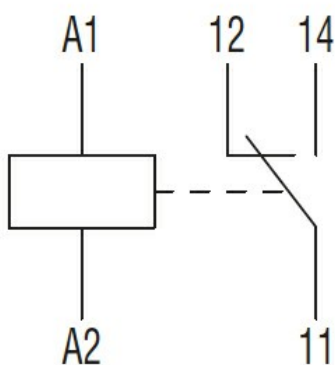
Mechanical contact position indicator No

Mechanical test actuator No

Dimensions



Wiring diagrams



Certifications and compliance

Compliance

IEC/EN 61810

Certificates

cURus

EAC

VDE

ETIM classification

ETIM 8.0

EC001437 -
Switching relay