



INDUSTRIAL
RELAYS ATEX
HR802C

Product designation

Product type designation

Contact characteristics

Contact configuration			2 C/O
Rated insulation voltage U_i IEC/EN	V		250
Rated impulse withstand voltage U_{imp}	kV		4
IEC Conventional free air thermal current I_{th}	A		30 NO (3A NC)
Rated current (I_n)	A		30
Relay control voltage	V		230VAC
Single-phase motor control			

230VAC kW 2.2

Contact impedance	m Ω		50
Contact material			Ag/SnO ₂

Operating times

Closing	ms		25
Opening	ms		25

Operations

Mechanical life	cycles		5000000
Electrical life AC1	cycles		100000

Coil characteristics

Average coil consumption AC at 20°C	VA		4
-------------------------------------	----	--	---

Operating range

Closing % U_n 80...110
Opening % U_n 20...55

Maximum cycle frequency	cycles/h		360
-------------------------	----------	--	-----

Mechanical features

Operating position

normal Any

Fixing			With screw
--------	--	--	------------

Ambient conditions

Temperature

Operating temperature

min °C -40
max °C +85

Storage temperature

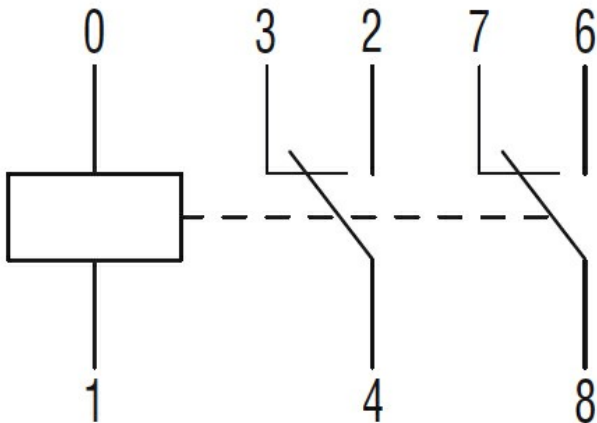
min °C -40
max °C +85

Other features

Indication		No
Mechanical contact position indicator		No
Mechanical test actuator		No

Dimensions

Wiring diagrams



Certifications and compliance

Compliance

IEC/EN/BS 61810-1

Certificates

cURus

EAC

TUV (ATEX)

VDE

ETIM classification

ETIM 8.0

EC001437 –
 Switching relay