



8-PIN
INDUSTRIAL
RELAYS
HR702C

Product designation

Product type designation

Contact characteristics

Contact configuration		2 C/O
Rated insulation voltage U_i IEC/EN	V	250
Rated impulse withstand voltage U_{imp}	kV	6
IEC Conventional free air thermal current I_{th}	A	10
Rated current (I_n)	A	10
Relay control voltage	V	110VDC
Rated operating power AC-1	VA	2500

Rated operating power AC-15	230 VAC	VA	500
-----------------------------	---------	----	-----

Single-phase motor control	230VAC	kW	1.2
----------------------------	--------	----	-----

Rated operating current DC-1	30V	A	10
------------------------------	-----	---	----

Minimum switching load	V / mA	5 / 100
------------------------	--------	---------

Contact impedance	m Ω	100
-------------------	------------	-----

Contact material	Ag/Ni
------------------	-------

Operating times

Closing	ms	<30
---------	----	-----

Opening	ms	<30
---------	----	-----

Operations

Mechanical life	cycles	5000000
-----------------	--------	---------

Electrical life AC1	cycles	100000
---------------------	--------	--------

Coil characteristics

Average coil consumption AC at 20°C	VA	3
-------------------------------------	----	---

Average coil consumption DC at 20°C	W	1.5
-------------------------------------	---	-----

Operating range

Closing	% U_n	75...110
Opening	% U_n	10...30

Maximum cycle frequency	cycles/h	3600
-------------------------	----------	------

Mechanical features

Max socket terminal tightening torque	Nm	0.6
---------------------------------------	----	-----

Socket screw tightening tool (cross / flat blade)	PH1 / 4.5mm
---	-------------

Conductor section

AWG/Kcmil	min	20
	max	14

IEC	min	mm ²	0.5
	max	mm ²	2.5

Operating position	normal	Any
Fixing		On 35mm DIN rail and with screw

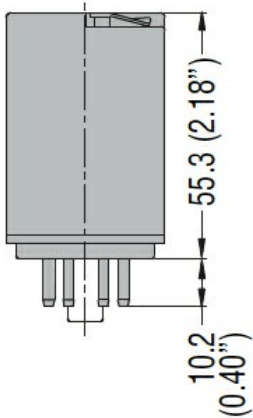
Ambient conditions

Temperature	Operating temperature		
	min	°C	-40
	max	°C	+55
	Storage temperature		
	min	°C	-40
	max	°C	+70

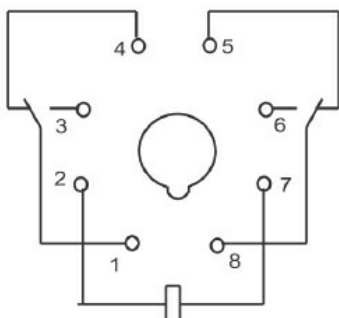
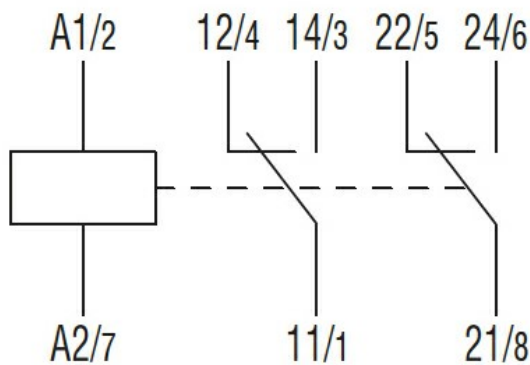
Other features

Indication	Yes
Mechanical contact position indicator	Yes
Mechanical test actuator	Yes

Dimensions



Wiring diagrams



Certifications and compliance

Compliance

IEC/EN 61810

Certificates

CSA

cURus

EAC

ETIM classification

ETIM 8.0

EC001437 -
Switching relay