



Product designation	8-PIN INDUSTRIAL RELAYS		
Product type designation	HR702C		
<b>Contact characteristics</b>			
Contact configuration	2 C/O		
Rated insulation voltage $U_i$ IEC/EN	V	250	
Rated impulse withstand voltage $U_{imp}$	kV	6	
IEC Conventional free air thermal current $I_{th}$	A	10	
Rated current ( $I_n$ )	A	10	
Relay control voltage	V	230VAC	
Rated operating power AC-1	VA	2500	
Rated operating power AC-15	230 VAC	VA	500
Single-phase motor control	230VAC	kW	1.2
Rated operating current DC-1	30V	A	10
Minimum switching load	V / mA	5 / 100	
Contact impedance	m $\Omega$	100	
Contact material	Ag/Ni		
<b>Operating times</b>			
Closing	ms	<30	
Opening	ms	<30	
<b>Operations</b>			
Mechanical life	cycles	5000000	
Electrical life AC1	cycles	100000	
<b>Coil characteristics</b>			
Average coil consumption AC at 20°C	VA	3	
Average coil consumption DC at 20°C	W	1.5	
Operating range	Closing	% $U_n$	70...110
	Opening	% $U_n$	20...55
Maximum cycle frequency	cycles/h	3600	
<b>Mechanical features</b>			
Max socket terminal tightening torque	Nm	0.6	
Socket screw tightening tool (cross / flat blade)	PH1 / 4.5mm		
Conductor section	AWG/Kcmil		
	min	20	
	max	14	
	IEC		
	min	mm <sup>2</sup>	0.5
	max	mm <sup>2</sup>	2.5

Operating position

normal

Any

Fixing

On 35mm DIN rail and with screw

Ambient conditions

Temperature

Operating temperature

min	°C	-40
max	°C	+55

Storage temperature

min	°C	-40
max	°C	+70

Other features

Indication

Yes

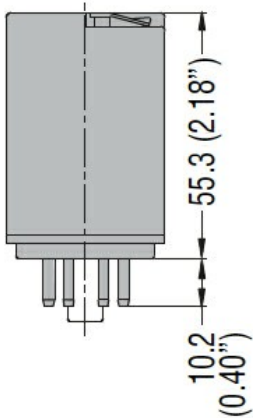
Mechanical contact position indicator

Yes

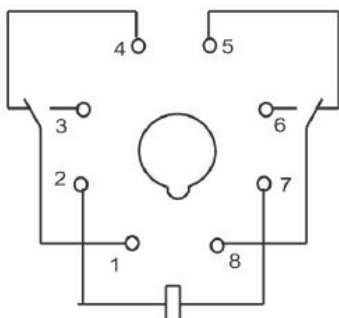
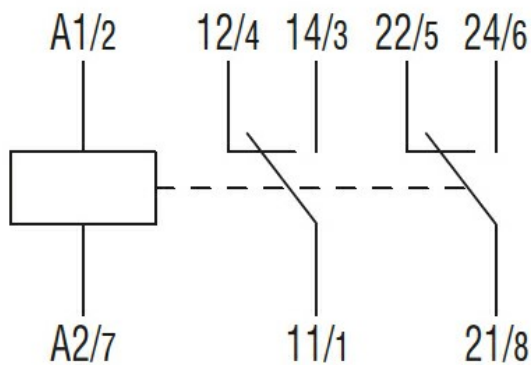
Mechanical test actuator

Yes

Dimensions



Wiring diagrams



**Certifications and compliance**

Compliance

IEC/EN 61810

Certificates

CSA

cURus

EAC

**ETIM classification**

ETIM 8.0

EC001437 -  
Switching relay