



| Product designation | 8-PIN INDUSTRIAL RELAYS | | |
|--|-------------------------|---------------------|-------------|
| Product type designation | HR702C | | |
| Contact characteristics | | | |
| Contact configuration | | | 2 C/O |
| Rated insulation voltage U_i IEC/EN | V | | 250 |
| Rated impulse withstand voltage U_{imp} | kV | | 6 |
| IEC Conventional free air thermal current I_{th} | A | | 10 |
| Rated current (I_n) | A | | 10 |
| Relay control voltage | V | | 24VAC |
| Rated operating power AC-1 | | VA | 2500 |
| Rated operating power AC-15 | | 230 VAC VA | 500 |
| Single-phase motor control | | 230VAC kW | 1.2 |
| Rated operating current DC-1 | | 30V A | 10 |
| Minimum switching load | | V / mA | 5 / 100 |
| Contact impedance | | m Ω | 100 |
| Contact material | | | Ag/Ni |
| Operating times | | | |
| Closing | | ms | <30 |
| Opening | | ms | <30 |
| Operations | | | |
| Mechanical life | | cycles | 5000000 |
| Electrical life AC1 | | cycles | 100000 |
| Coil characteristics | | | |
| Average coil consumption AC at 20°C | | VA | 3 |
| Average coil consumption DC at 20°C | | W | 1.5 |
| Operating range | | Closing % U_n | 70...110 |
| | | Opening % U_n | 20...55 |
| Maximum cycle frequency | | cycles/h | 3600 |
| Mechanical features | | | |
| Max socket terminal tightening torque | | Nm | 0.6 |
| Socket screw tightening tool (cross / flat blade) | | | PH1 / 4.5mm |
| Conductor section | AWG/Kcmil | | |
| | | min | 20 |
| | | max | 14 |
| | IEC | | |
| | | min mm ² | 0.5 |
| | | max mm ² | 2.5 |

| | | |
|--------------------|--------|---------------------------------|
| Operating position | normal | Any |
| Fixing | | On 35mm DIN rail and with screw |

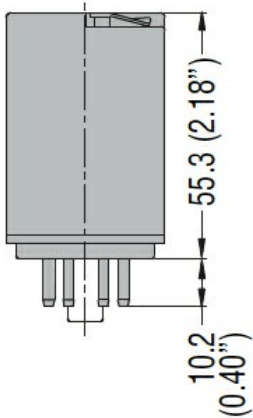
Ambient conditions

| | | | |
|-------------|-----------------------|----|-----|
| Temperature | Operating temperature | | |
| | min | °C | -40 |
| | max | °C | +55 |
| | Storage temperature | | |
| | min | °C | -40 |
| | max | °C | +70 |

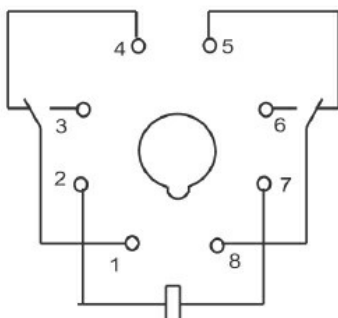
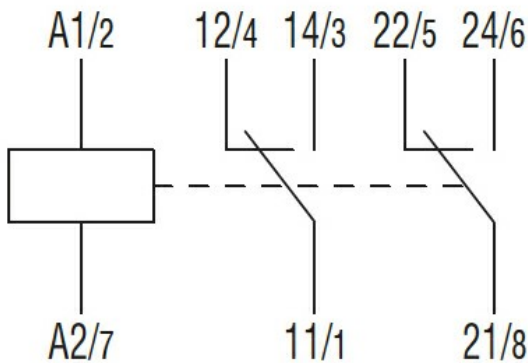
Other features

| | |
|---------------------------------------|-----|
| Indication | Yes |
| Mechanical contact position indicator | Yes |
| Mechanical test actuator | Yes |

Dimensions



Wiring diagrams



Certifications and compliance

Compliance

IEC/EN 61810

Certificates

CSA

cURus

EAC

ETIM classification

ETIM 8.0

EC001437 -
Switching relay