



Product designation	MINIATURE RELAYS		
Product type designation	HR501C		
<b>Contact characteristics</b>			
Contact configuration			1 C/O
Rated insulation voltage $U_i$ IEC/EN	V		250
Rated impulse withstand voltage $U_{imp}$	kV		6
IEC Conventional free air thermal current $I_{th}$	A		16
Maximum instantaneous current	A		20
Rated current ( $I_n$ )	A		16
Relay control voltage	V		12VDC
Max contrrollable power in			
	AC-1	W	4000
	AC-15	VA	150
Rated operating power AC-1		VA	4000
Rated operating power AC-15	230 VAC	VA	150
Single-phase motor control	230VAC	kW	0.1
Rated operating current DC-1			
	30V	A	12
	110V	A	0.3
	220V	A	0.1
Minimum switching load		V / mA	5 / 100
Contact impedance		m $\Omega$	100
Contact material			Ag/Ni
<b>Operating times</b>			
Closing		ms	<15
Opening		ms	<15
<b>Operations</b>			
Mechanical life		cycles	10000000
Electrical life AC1		cycles	30000
<b>Coil characteristics</b>			
Average coil consumption AC at 20°C		VA	1
Average coil consumption DC at 20°C		W	0.4
Operating range			
	Closing	% $U_n$	75...110
	Opening	% $U_n$	10...30
Maximum cycle frequency		cycles/h	3600
<b>Mechanical features</b>			
Max socket terminal tightening torque		Nm	0.6
Socket screw tightening tool (cross / flat blade)			PH1 / 4.5mm
Conductor section			
	AWG/Kcmil		

	min	20	
	max	14	
IEC	min	mm <sup>2</sup>	0.5
	max	mm <sup>2</sup>	2.5
Operating position	normal	Any	
Fixing	On 35mm DIN rail and with screw		

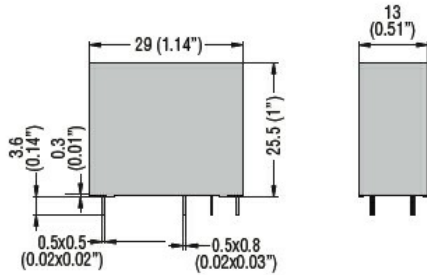
**Ambient conditions**

Temperature	Operating temperature	min	°C	-40
		max	°C	+70
	Storage temperature	min	°C	-40
		max	°C	+85

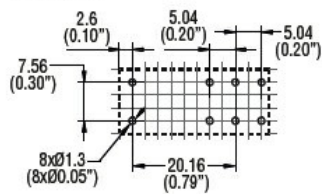
**Other features**

Indication	Yes
Mechanical contact position indicator	Yes
Mechanical test actuator	Yes

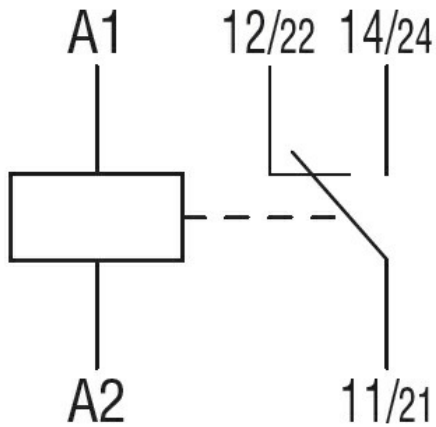
**Dimensions**



PCB layout



**Wiring diagrams**



### Certifications and compliance

#### Compliance

IEC/EN 61810

#### Certificates

CSA

cURus

EAC

VDE

### ETIM classification

ETIM 8.0

EC001437 -  
Switching relay