



Product designation				MINIATURE RELAYS
Product type designation				HR501C
<b>Contact characteristics</b>				
Contact configuration				1 C/O
Rated insulation voltage $U_i$ IEC/EN	V			250
Rated impulse withstand voltage $U_{imp}$	kV			6
IEC Conventional free air thermal current $I_{th}$	A			16
Maximum instantaneous current	A			20
Rated current ( $I_n$ )	A			16
Relay control voltage	V			24VAC
Max contrrollable power in				
		AC-1	W	4000
		AC-15	VA	150
Rated operating power AC-1			VA	4000
Rated operating power AC-15				
	230 VAC	VA	150	
Single-phase motor control				
	230VAC	kW	0.1	
Rated operating current DC-1				
	30V	A	12	
	110V	A	0.3	
	220V	A	0.1	
Minimum switching load		V / mA	5 / 100	
Contact impedance		m $\Omega$	100	
Contact material			Ag/Ni	
<b>Operating times</b>				
Closing		ms	<15	
Opening		ms	<15	
<b>Operations</b>				
Mechanical life		cycles	10000000	
Electrical life AC1		cycles	30000	
<b>Coil characteristics</b>				
Average coil consumption AC at 20°C		VA	1	
Average coil consumption DC at 20°C		W	0.4	
Operating range				
		Closing	% $U_n$	70...110
		Opening	% $U_n$	20...55
Maximum cycle frequency		cycles/h	3600	
<b>Mechanical features</b>				
Max socket terminal tightening torque		Nm	0.6	
Socket screw tightening tool (cross / flat blade)			PH1 / 4.5mm	
Conductor section				
	AWG/Kcmil			

	min	20	
	max	14	
IEC	min	mm <sup>2</sup>	0.5
	max	mm <sup>2</sup>	2.5
Operating position	normal	Any	
Fixing		On 35mm DIN rail and with screw	

**Ambient conditions**

Temperature

Operating temperature

min	°C	-40
max	°C	+70

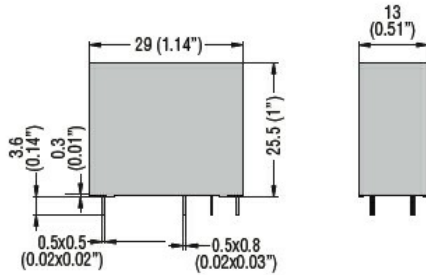
Storage temperature

min	°C	-40
max	°C	+85

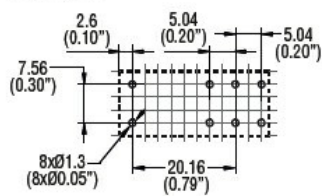
**Other features**

Indication	Yes
Mechanical contact position indicator	Yes
Mechanical test actuator	Yes

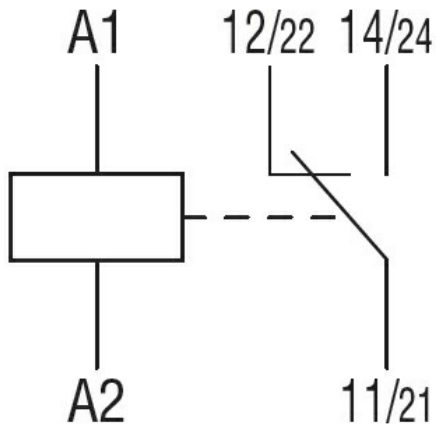
**Dimensions**



PCB layout



**Wiring diagrams**



**Certifications and compliance**

Compliance

IEC/EN 61810

Certificates

CSA

cURus

EAC

VDE

**ETIM classification**

ETIM 8.0

EC001437 -  
Switching relay